

SPECIFICATION SHEET

TU40 SERIES cUL US UNIVERSAL MULTI-VOLTAGE SAME ON/OFF TIMES EACH DAY 24 HOUR TIME SWITCH

APPLICATIONS

- Lighting, pumps.
- Signs, fans.
- Air conditioning
- Water heaters.

FEATURES

MULTI-VOLTAGE:

Automatic input voltage detection.

EASY SET:

Real time clock face and day/night markings for setting trippers.

SCHEDULING:

Minimum ON is setting 15 minutes.

Dial has 96 captive trippers.

4 in 1 CONTACTS:

DPDT can also wire as SPST, SPDT, & DPST.

BYPASS SWITCH:

Sets timer to permanent ON, OFF or timer operation.

VACATION MODE:

Set timer OFF with no change of tripper settings.

INDICATING LIGHTS:

Power ON green and load ON red and LED indicators.

SPECIFICATIONS

INPUT VOLTAGE:

120/208-240/277VAC, 60Hz (auto detection).

TIMING ACCURACY:

Line frequency.

TERMINAL RANGE:

#8 - #18 AWG.

OPERATING TEMPERATURE:

-31 °F to 116 °F (-35 °C to 47 °C).

POWER CONSUMPTION: 6 watts maximum.

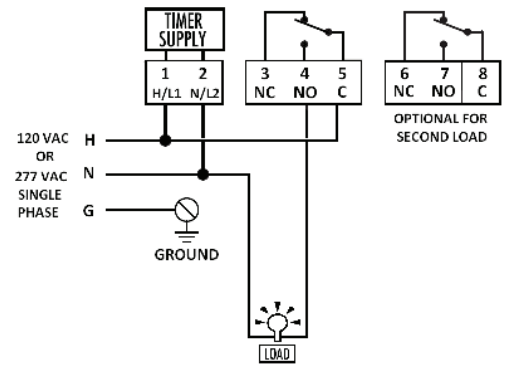
ENCLOSURE:

Polycarbonate Indoor/Outdoor NEMA 3R or -Y suffix metal indoor NEMA 1 enclosure. Both with lockable hasp standard.



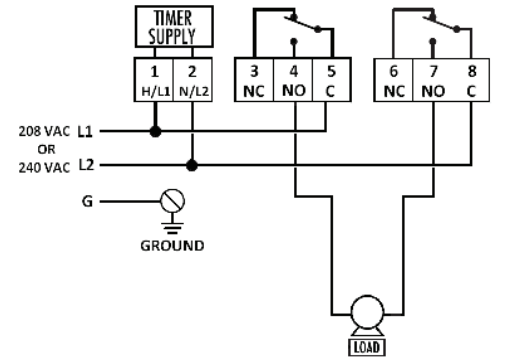
WIRE DIAGRAM

TYPICAL SPST WIRING - LOAD SAME VOLTAGE AS TIMER SUPPLY



CONNECT LINE VOLTAGE (H) TO TERMINAL 5

TYPICAL DPST WIRING - LOAD SAME VOLTAGE AS TIMER SUPPLY



CONNECT LINE VOLTAGE (L1) TO TERMINAL 5
CONNECT LINE VOLTAGE (L2) TO TERMINAL 8

ORDERING INFO

CAT. NO.	UPC CODE	TIMER SUPPLY (VAC) 60Hz	DRY CONTACTS (UNPOWERED)	ENCLOSURE TYPE
TU40	24000	120/208-240/277	DPDT	Plastic Indoor/Outdoor NEMA 3R
TU40-Y	24001	120/208-240/277	DPDT	Metal Indoor NEMA 1

CONTACT RATINGS

TYPE	VOLTAGE (VAC)	RATING	
		NO	NC
General Purpose	120-277	40A	30A
Inductive	120-277	30A	15A
Ballast	120	30A	10A
	277	20A	10A
Tungsten	120	15A	—
Motor Load	120	1HP, 30FLA, 90LRA	¼HP, 12FLA, 30LRA
	240	2HP, 20FLA, 60LRA	½HP, 12FLA, 33LRA
Pilot Duty	120	720VA	290VA
	240	720VA	360VA
Resistive	28VDC	20A	—
Max above 104 °F	120-277	30A	—