

SPECIFICATION SHEET

DZM SERIES 365/7 DAY ADVANCED MOMENTARY OUTPUT LIGHTING CONTROLLER



APPLICATIONS

- Low voltage latching relays.
- Direct wire to mechanically held contactors.

FEATURES

SCHEDULING:

99 ON & OFF set points allow individual programs for each day of the week at a minimum 1 minute apart.

SunSet ASTRONOMIC:

Adjusts daily to changes in sunset times. Adjustable 10° - 60° Northern or Southern latitudes can be individually offset +/- 1 to 240 minutes from both sunset and sunrise times.

SEASONS:

1 to 4 with different daily schedules which can wrap around into the new year.

HOLIDAYS:

1 to 24 individual dates.

DAYLIGHT SAVING:

Automatic adjustment (can be omitted).

LEAP YEAR:

Automatic Compensation.

MANUAL OVERRIDE:

Until the next regularly scheduled ON or OFF, automatic operation then resumes.

CLOCK FORMAT:

AM/PM or 24 Hour Format.

POWER OUTAGE BACKUP:

Permanent scheduled retention with memory module. Supercapacitor provides 7 days of real time backup.

MEMORY MODULE:

Removable MM can be programmed at any one location and inserted into another DZM series unit.

COPY FEATURE:

Unit can be configured to copy program schedule to multiple memory modules.

OPTION:

Memory Module Programmer with software for computer connection programming. Also allows stand alone battery operation for portable copy feature.

SPECIFICATIONS

TIMING ACCURACY:

Line frequency.

INPUT VOLTAGE:

120/208-240/277VAC, 50/60Hz.

TERMINAL RANGE:

#14 - #16AWG for line input.

#12 - #16AWG load outputs.

OPERATING TEMPERATURE:

-40 °F to 158 °F (-40 °C to +70 °C).

POWER CONSUMPTION:

4VA Max.

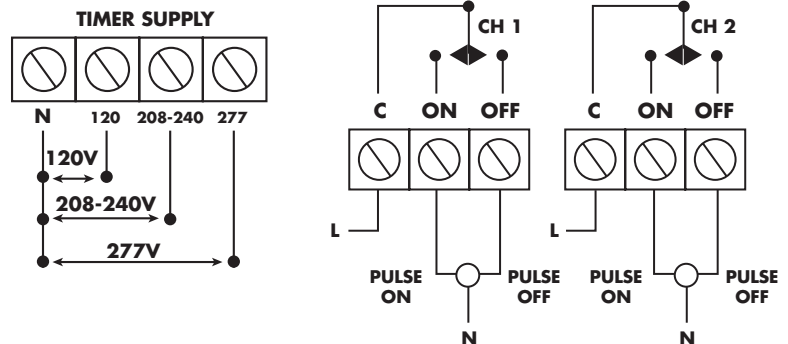
ENCLOSURE:

Noryl[®] Indoor/Outdoor NEMA 3R.

Suffix -0 metal Indoor/Outdoor NEMA 3.

All with lockable hasp (see page 565 for dimensions).

WIRE DIAGRAM



ORDERING INFO

CAT. NO.	UPC CODE	TIMER SUPPLY (VAC) 50/60Hz	NO. OF CHANNELS	DRY CONTACTS (UNPOWERED)
DZM200BP	82188	120/208-240/277	2	SPDT Momentary
DZM200BP-0	82232	120/208-240/277	2	SPDT Momentary
USB-MMP	82196		Memory Module Programmer	Includes software

CONTACT RATINGS

TYPE	VOLTAGE (VAC)	RATING
General Purpose	120-277	20A
Pilot Duty	120-277	720VA