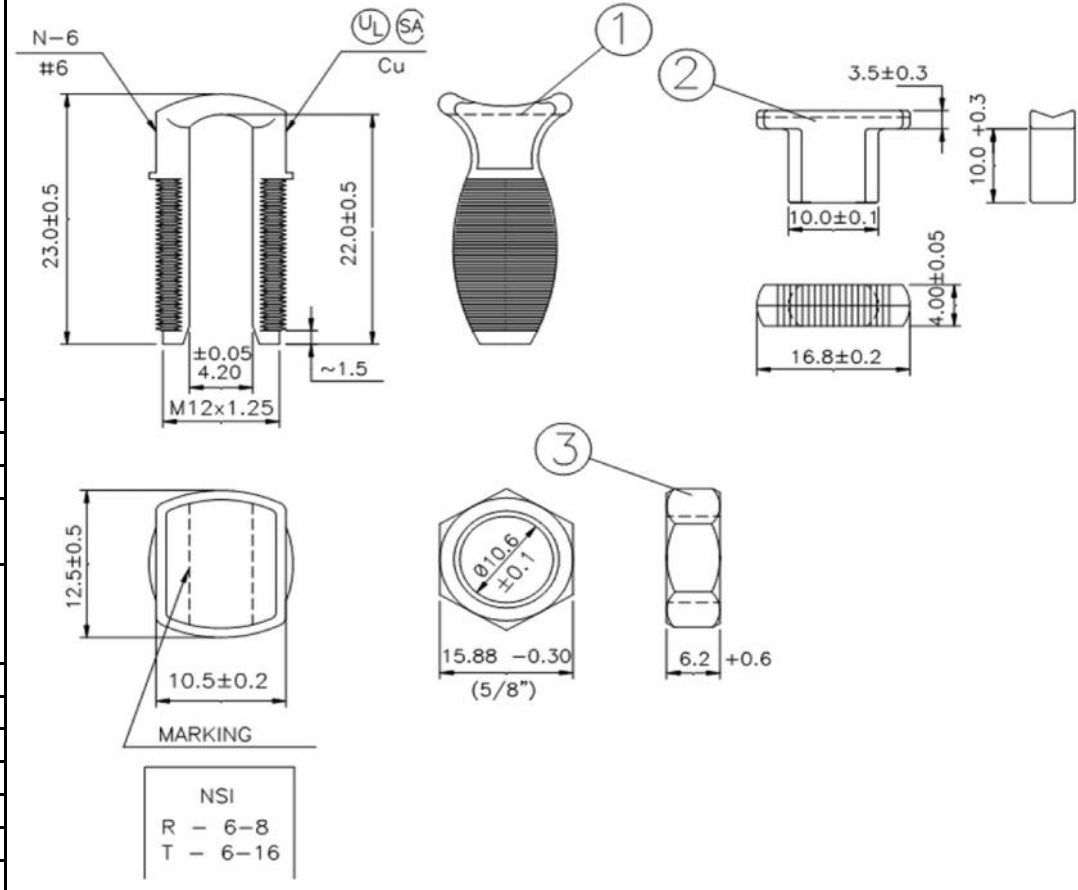


## Copper Split Bolts - N-6



Drawn - SD

Approved - KM

Material - Copper

Title - Copper Split Bolts



Max Run To Max Tap	6 SOL	
Min Run To Min Tap	8 - 16 STR	
Max Run To Min Tap	6 SOL - 16 STR	
Min Equal Run - Tap	8 - 8 STR	
3	Nut	Bronze
2	Rider	Bronze
1	Body	Electrolytical Copper