
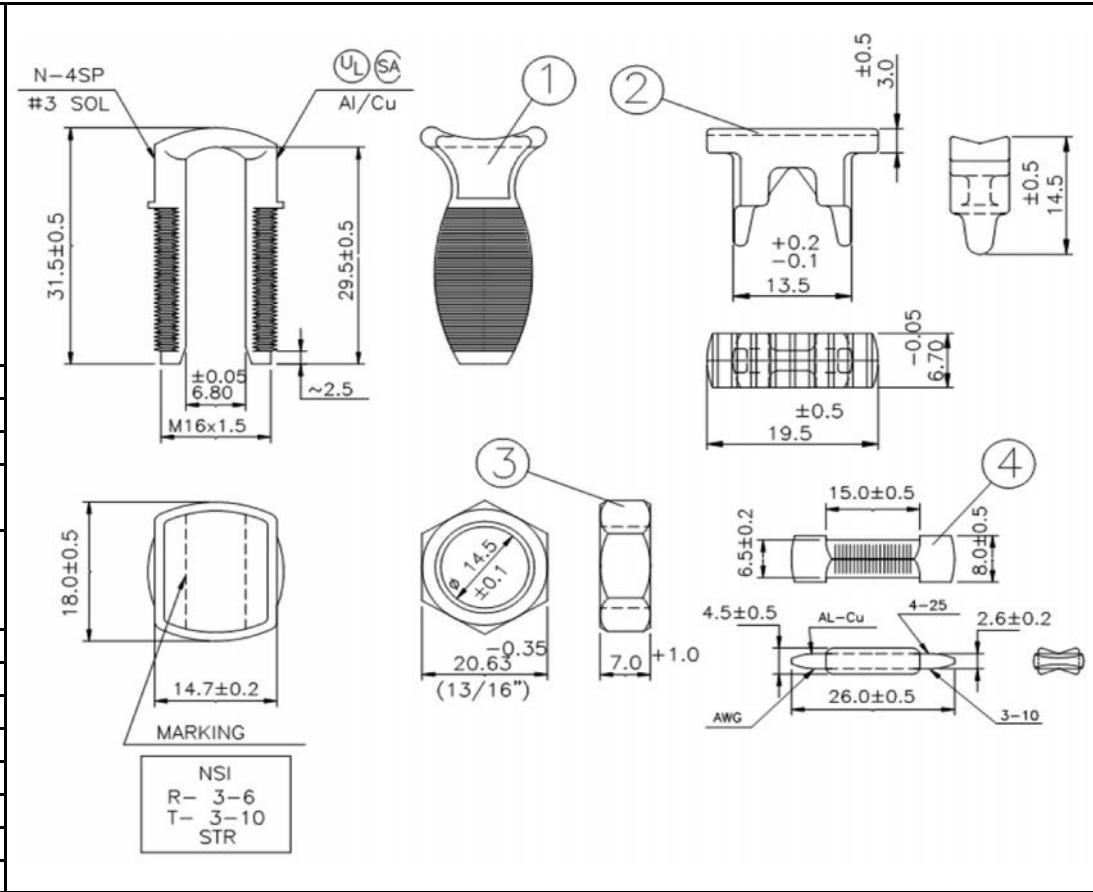


All Purpose Type Split Bolts - N-4SP

Drawn - SD	
Approved - KM	
Material - Copper / Finish: Tin Plated	
Title - All Purpose Type Split Bolts	
	
Max Run To Max Tap	3 SOL AL CU
Min Run To Min Tap	6 - 10 Str AL CU
Max Run To Min Tap	3 SOL - 10 Str AL CU
Min Equal Run - Tap	8 - 8 Str AL CU
4	Spacer Electrolytical Copper
3	Nut Bronze
2	Rider Bronze
1	Body Electrolytical Copper



NSI
 R- 3-6
 T- 3-10
 STR