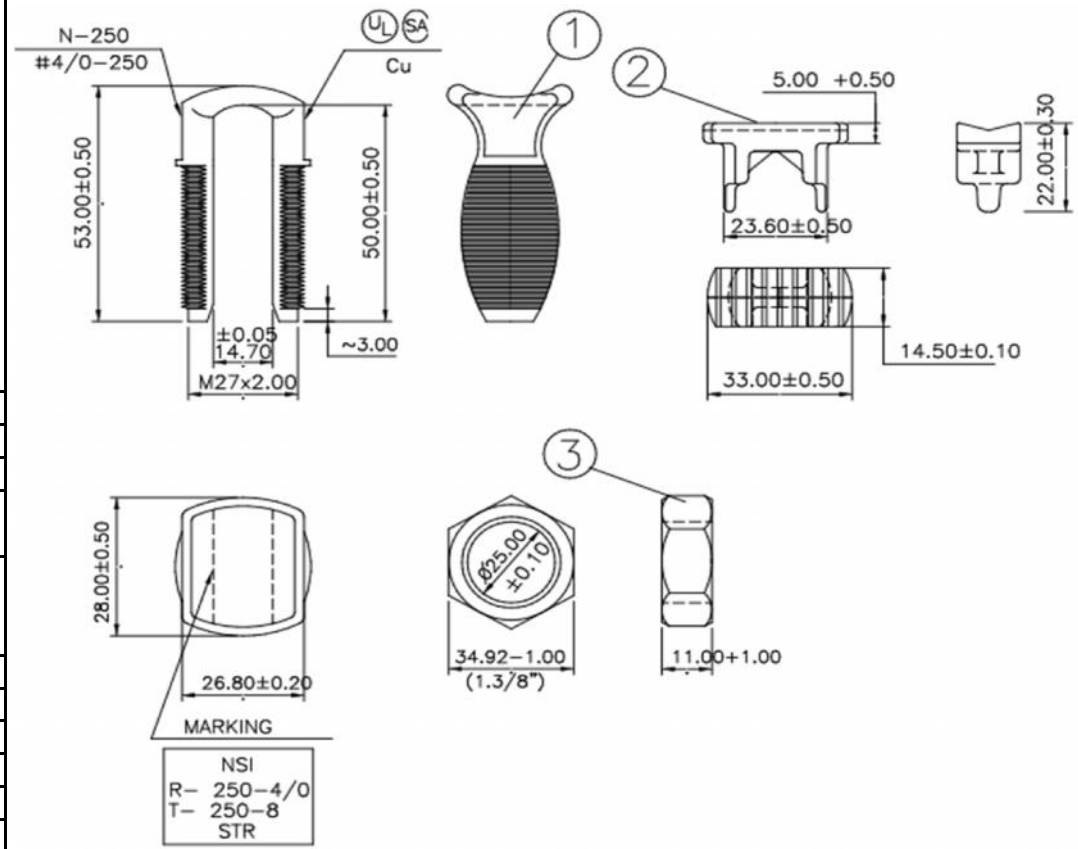


## Copper Split Bolts - N-250



Drawn - SD

Approved - KM

Material - Copper

Title - Copper Split Bolts



<b>Max Run To Max Tap</b>	<b>250 - 250 STR</b>	
<b>Min Run To Min Tap</b>	<b>4/0 - 8 STR</b>	
<b>Max Run To Min Tap</b>	<b>250 - 8 STR</b>	
<b>Min Equal Run - Tap</b>	<b>1 - 1 STR</b>	
<b>3</b>	<b>Nut</b>	<b>Bronze</b>
<b>2</b>	<b>Rider</b>	<b>Bronze</b>
<b>1</b>	<b>Body</b>	<b>Electrolytical Copper</b>