

TORK[®]

DIGITAL TIME SWITCH

DTS400B

DZS400BP



MEETS CALIFORNIA
ENERGY COMMISSION'S
TITLE 24 REQUIREMENTS

SPECIFICATIONS

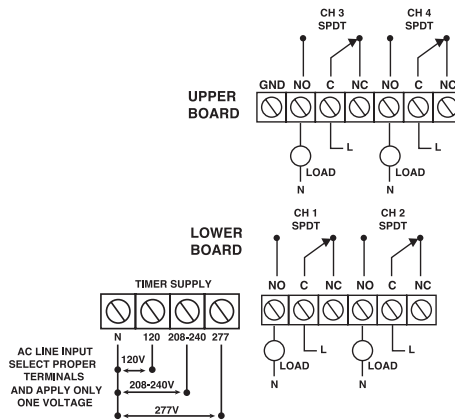
Input Voltage: 120/(208-240)/277 VAC, 50/60 Hz, 6VA max.
Dry Contact Ratings: SPDT (unpowered)

CONTACT RATINGS

TYPE	VOLTAGE	Rating	
		NO	NC
General Purpose	24-277VAC	20A	20A
Tungsten	120VAC	8A	-
Ballast	120-277VAC	13A	-
Pilot Duty	120-277VAC	720VA	720VA
Motor Load	120-277VAC	1HP	1HP

WIRING INSTRUCTIONS & DIAGRAM

Use copper wire only. AWG #14-16 for line input and AWG #12-16 for load outputs. **WIRING TO COMPLY WITH ALL LOCAL AND NATIONAL ELECTRICAL CODES.** Bonding between conduit connection is not automatic and must be provided as part of the installation. **THE ENCLOSURE MUST BE PROPERLY GROUNDED.**



! CAUTION !
RISK OF ELECTRIC SHOCK
More than one disconnect switch may be required to de-energize the equipment before servicing. Disconnect power at main panel prior to installing or servicing this lighting control or the equipment connected to it.
REPLACE INSULATOR AFTER WIRING.

L1-718(B)

NSI INDUSTRIES, LLC • 888.500.4598 • www.nsiindustries.com

A DIVISION OF **NSI** NSI INDUSTRIES, LLC

NSi Industries, LLC

TORK PRODUCT LABEL

p/n **DTS400B**

p/n **DZS400BP**

(L1-718(B))

3.875 x 7.25

1C/0

