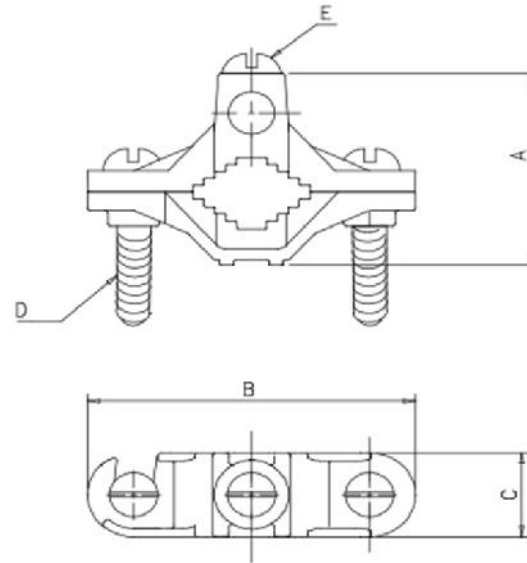


## Zinc Die Cast Ground Clamps



**Drawn - SD**

**Approved - KM**

**Material - Zinc Alloy**

**Title - Zinc Die Cast Ground Clamps**



### Description

Part Number	Wire Range	Conduit Size	A	B	C	D	E
GZ-1	10 sol - 2 str	1/2-1"	1.377	2.244	0.629	1/4-20 x 1-1/2"	1/4-20 x 1/2"