

Isolated Ground Bars - GBA2-7

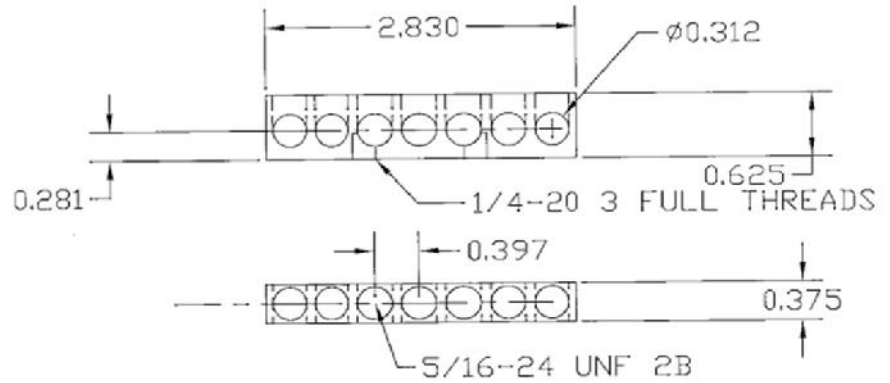
Made from high-strength aluminum alloy. The base is made from high-strength glass-filled polyester.

Drawn - SD

Approved - KM

Material - Aluminum Bar / Steel Screws

Title - Isolated Ground Bar



Part Number	Wire Range	No. Of Circuits	Material	Length	Height	Width
GBA2-7	AL/CU 2-14 AWG	7	Aluminum	2.8300	0.6250	0.3750