
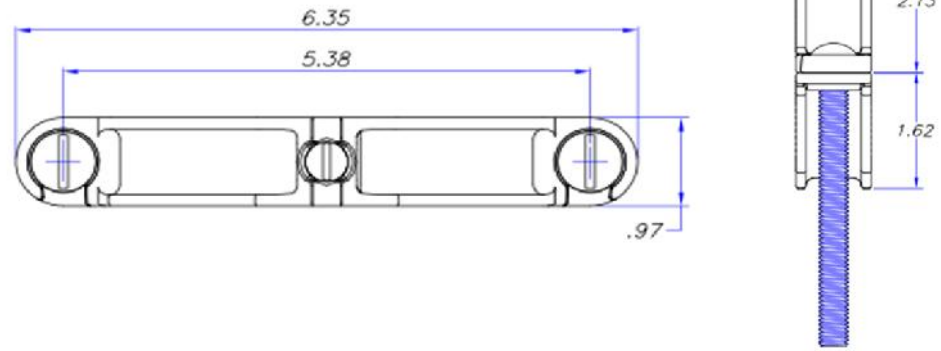


## Ground Clamps

|   |
|---|
| Drawn - SD  |
| Approved - KM   |
| Material - Bronze   |
| Title - Ground Clamps   |
|  |



|             |                |            | Description |      |       |                              |                                   |
|-------------|----------------|------------|-------------|------|-------|------------------------------|-----------------------------------|
| Part Number | Wire Range     | Water Pipe | L           | W    | H     | Clamp Screw                  | Ground Wire Screw                 |
| G-4-S       | 10 sol - 2 str | 2 1/2 - 4" | 6.35        | 0.97 | 3.750 | 3/8-16 x 4" Round Head Screw | 1/4" - 20 x 0.5" Round Head Screw |