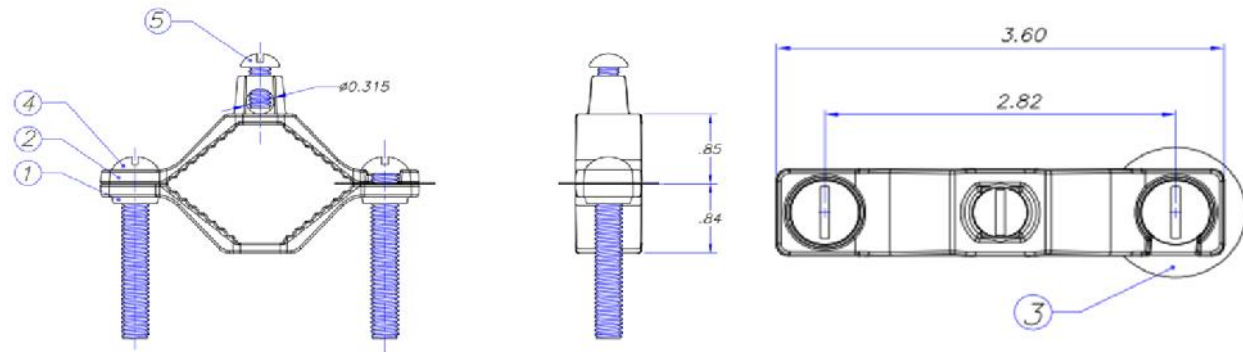


Ground Clamps



Drawn - SD

Approved - KM

Material - Bronze Clamp - Bronze Screws

Title - Ground Clamps



Description

Part Number	Wire Range	Conduit Size	1	2	3	4	5
G-2-S-DB-SB	10 SOL - 2 STR	1 1/4" - 2"	Bottom Clamp	Top Clamp	Rebar Tag	5/16"-18 x 2" Round Head Screw	1/4" - 20 x 0.5" Round Head Screw