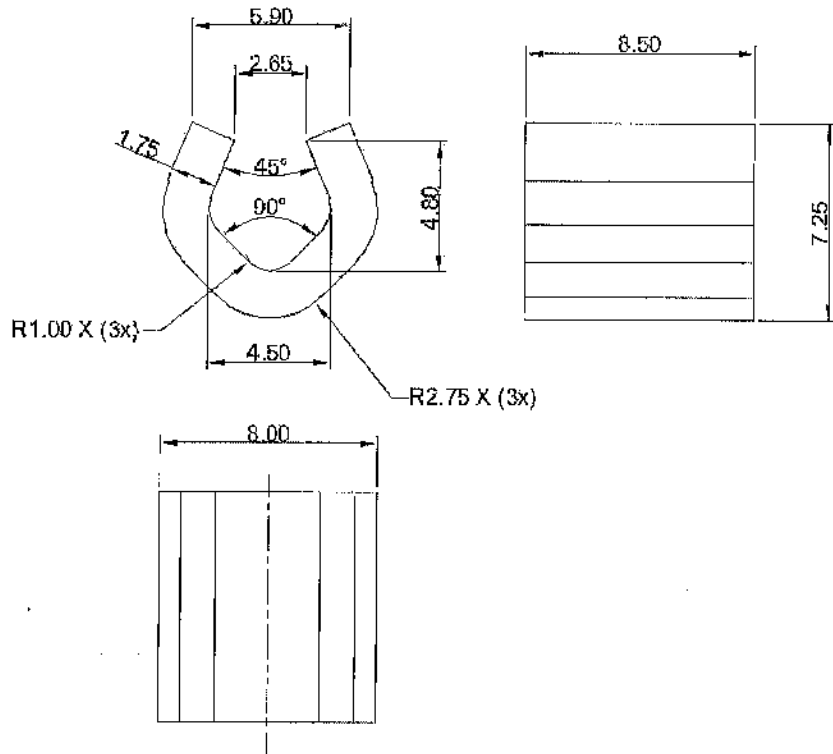


91-21



	NAME	DATE					
DRAWN	SD	29/06/2011					
CHECKED	KM	29/06/2011					
APPROVED	KM	29/06/2011					
MATERIAL - Copper			Rev. No.	Details of Revision	Date	Drawn	Approved
TREATMENT -			nsi INDUSTRIES				
TOLERANCE - ±0.80			TITLE - Copper Lugs (P.No. CT-101)				
SCALE - N.T.S.							
All dimensions are in mm.			Drawing No. - D-1053		Weight :-	Size :- A4	