

SPECIFICATION SHEET

8000 SERIES  
MANY DAILY ON/OFF OPERATIONS PER DAY
DUTY CYCLE
24 HOUR TIME SWITCH

APPLICATIONS

- Duty cycling, ventilating fans.
- Pumping, irrigation.
- Process control, laboratory experiments.
- For one or multiple daily ON/OFF operation.

FEATURES

SCHEDULING:

Minimum ON setting is 15 minutes with minimum OFF setting at 15 minutes. Dial has 96 captive tabs.

DUTY CYCLE:

Adjustable from 1/2, 1, 2, 3, 4, 6, 12, and 24 hours.

SKIP-A-DAY:

Some models include 7 day or 14 day wheel to omit selected days of the week.

OPTIONAL RESERVE POWER:

"L" models keep dial on time up to 16 hours during power outage.

SPECIFICATIONS

INPUT VOLTAGE:

120, 208-277VAC or 480VAC, 60Hz, varies by model.

TIMING ACCURACY:

Line frequency.

TERMINAL RANGE:

#8 - #14AWG.

OPERATING TEMPERATURE:

-40 °F to 165 °F (-40 °C to 74 °C).

POWER CONSUMPTION:

3 watts, 5 watts for "L" models maximum.

ENCLOSURE:

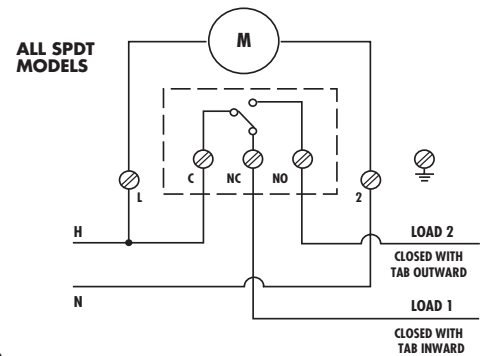
Lockable hasp. Type varies by model (see page 557 for enclosure dimensions).

OTHER MOUNTINGS:

Intermatic® Adaptor Plate model #IAP allows 8001 & 8004 to fit into an Intermatic case.



WIRE DIAGRAM



ORDERING INFO

CAT. NO.	UPC CODE	INPUT SUPPLY (VAC) 60Hz	OUTPUT CONTACTS	ENCLOSURE TYPE
8001	70001	120	SPDT	Metal Indoor NEMA 1
8001-N	70025	120	SPDT	Noryl® Indoor/Outdoor NEMA 3R
8001-NC	70009	120	SPDT	Noryl® Indoor/Outdoor NEMA 3R w/ clear Lexan® cover
8001-LC/WB	70010	120	SPDT	Mechanism and bracket
8001-O	70029	120	SPDT	Metal Indoor/Outdoor NEMA 3
8004	70002	208-277	SPDT	Metal Indoor NEMA 1
8001U	70003	480/120 Trans.	SPDT	Metal Indoor NEMA 1
8001U-N	70014	480/120 Trans.	SPDT	Noryl® Indoor/Outdoor NEMA 3R
8001U-O	70011	480/120 Trans.	SPDT	Metal Indoor/Outdoor NEMA 3
24 HOUR WITH 7 DAY OMIT				
8007	70005	120	SPDT	Metal Indoor NEMA 1
8007-O	70012	120	SPDT	Metal Indoor/Outdoor NEMA 3
8008	70006	208-277	SPDT	Metal Indoor NEMA 1
8007U	70008	480/120 Trans.	SPDT	Metal Indoor NEMA 1
8007U-O	70028	480/120 Trans.	SPDT	Metal Indoor/Outdoor NEMA 3
24 HOUR WITH 7 DAY OMIT & RESERVE POWER				
8007L	70015	120	SPDT	Metal Indoor NEMA 1
8008L	70016	208-277	SPDT	Metal Indoor NEMA 1
24 HOUR WITH 14 DAY OMIT				
8007V	70007	120	SPDT	Metal Indoor NEMA 1
24 HOUR WITH 14 DAY OMIT & RESERVE POWER				
8007VL	70017	120	SPDT	Metal Indoor NEMA 1

Replacement Motor #101(120V) & #201 (208-277V). For "L" models #36 (120V) & #46 (208-277V)

CONTACT RATINGS

TYPE	VOLTAGE (VAC)	CONTACT RATING
Resistive	120 or 240	20A
	480	20A
Motor	120	3/4 HP