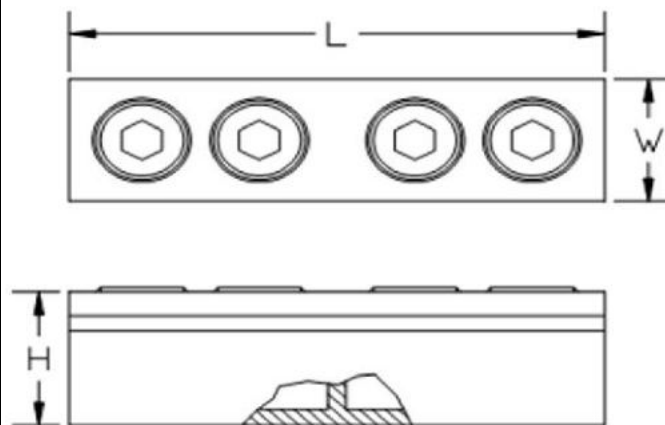


## Splicer-Reducers

For splicing two copper or aluminum wires of equal or different sizes. Made of 6061T-6 aluminum alloy. Tin plated for low contact resistance with center stop. Rated 600 volts.




**Drawn - SD**

**Approved - KM**

**Material - Aluminum**

**Title - Splicer-Reducers**



Part Number	Wire Range	Material	Bolt Shape	L	W	H
750SR	750-250 MCM	Aluminum		5.500	1.300	1.750