

## SPECIFICATION SHEET

### 701B 24 HOUR IN-WALL TIMER

#### APPLICATIONS

- Porch or patio lighting
- Interior lighting
- Pool
- Entryway

#### FEATURES

##### SCHEDULING:

Minimum ON setting is 30 minutes. Dial has 48 captive trippers.

##### FLEXIBLE:

Removable dial allows installation in multi-gang boxes with decorator style wall plates.

##### BYPASS SWITCH:

Slide switch for ON, OFF, or TIMER (automatic) operation.

##### VACATION MODE:

Set timer OFF with no change of tripper settings.

##### WIRING:

Requires a neutral.

##### CLOCK FORMAT:

AM/PM marked on dial.

##### WALL PLATE:

Supplied with single gang decorator wall plate.

#### SPECIFICATIONS

##### INPUT VOLTAGE:

120VAC, 60 Hz.

##### WIRE SIZE:

#14AWG.

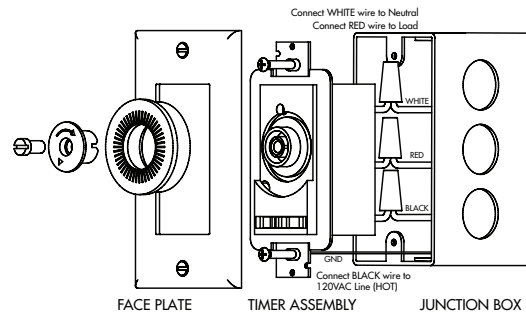
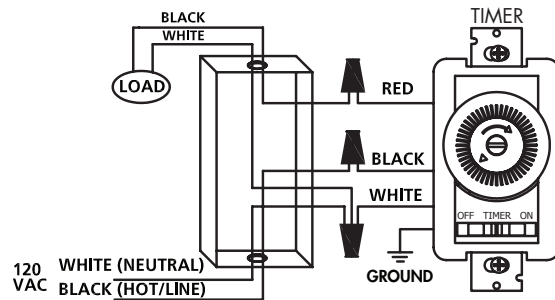
##### OPERATING TEMPERATURE:

+32° F to +104° F (0° C to +40° C).

Project Info:	Type:
Job Ref:	Catalog Number:
Approvals:	Date:



#### WIRING DIAGRAM



#### ORDERING INFO

CAT. NO.	UPC CODE	INPUT SUPPLY (VAC) 60Hz	COLOR
701B	10121	125	White

#### CONTACT RATINGS

TYPE	VOLTAGE (VAC)	RATING
General Purpose	125	20A
Resistive	125	20A
Tungsten	125	1500W
Electronic Ballast	125	500VA
Motor	125	1HP