

Mechanical Lug - Single

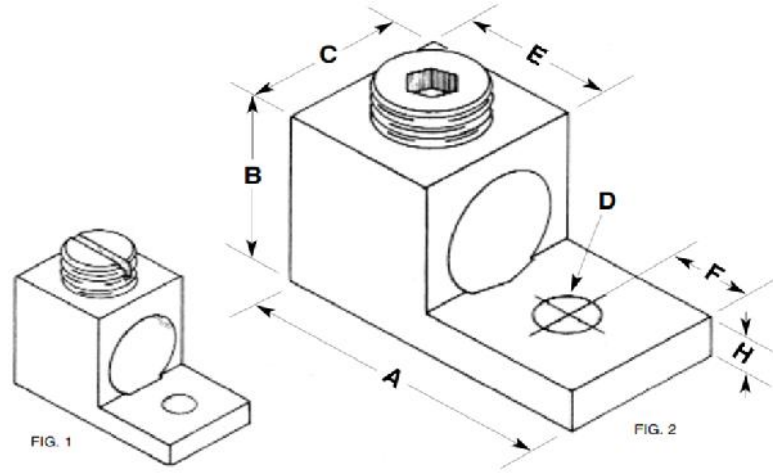
Versatile and reusable set screw connectors made of 6061T-6 aluminum alloy. Tin plated for low contact resistance. Suitable for use with both copper and aluminum conductors. Rated 600 volts.

Drawn - SD

Approved - KM

Material - Aluminum

Title - Mechanical Lug - Single



Part Number	Wire Range	Material	A	B	C	D	E	F	H
4T	4-14 AWG	Aluminum	1.062	0.500	0.500	0.265	0.375	0.250	0.094