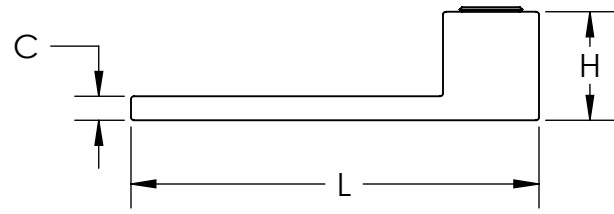
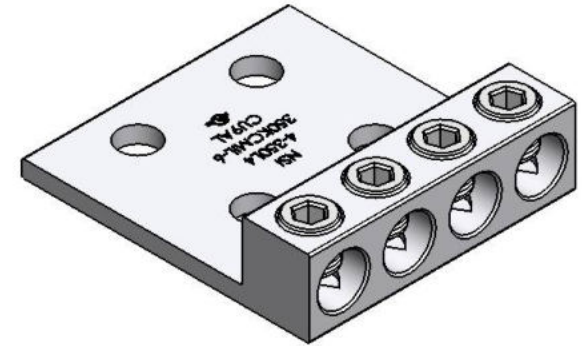
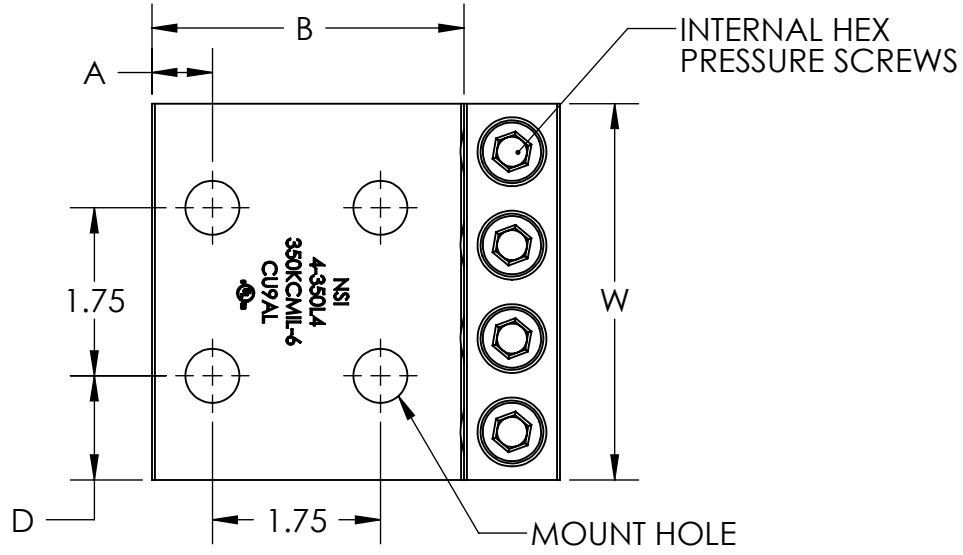




PART	WIRE RANGE	HEX SIZE	L	H	W	A	B	C	D	MOUNT HOLE
4-250L4	250KCMIL - 6 AWG	5/16	3.88	1.02	3.30	.56	3.01	.22	.78	9/16
4-350L4	350KCMIL - 6 AWG	5/16	4.25	1.13	3.92	.63	3.25	.25	1.09	9/16
4-600L4	600KCMIL - 2 AWG	3/8	4.65	1.51	5.00	.63	3.40	.38	1.63	9/16
4-800L4	800 - 300KCMIL	1/2	4.75	1.69	5.38	.63	3.38	.44	1.82	9/16
4-1000L4	1000 - 500KCMIL	9/16	4.94	1.88	6.19	.63	3.44	.44	2.22	9/16



CONTACT NSi FOR SALES @ 800.321.5847

<b>NSi</b>		<b>NSi INDUSTRIES, LLC</b>	
<b>TORK</b>		USA • 800.321.5847 • www.nsiindustries.com	
PROPRIETARY AND CONFIDENTIAL		9730 Northcross Center Court Huntersville, NC 28078	
THE INFORMATION CONTAINED IN THIS DRAWING IS THE SOLE PROPERTY OF POLARIS SALES CO. INC. ANY REPRODUCTION IN PART OR AS A WHOLE WITHOUT THE WRITTEN PERMISSION OF POLARIS SALES CO. INC. IS PROHIBITED.		TITLE: NSi 4 PORT LUGS NEMA MOUNT SERIES	
NAME		DATE	
DRAWN BY S.PARRY		9/20/2012	
MATERIAL: SEE NOTE		SCALE: 1:2	
DWG. NO. 4_L4-SERIES		SHEET: 1 OF 1	

- NOTES:
1. TIN PLATED 6061-T6511 ALUMINUM ALLOY.
  2. UL LISTED 90° C FOR COPPER AND ALUMINIUM CONDUCTOR.