
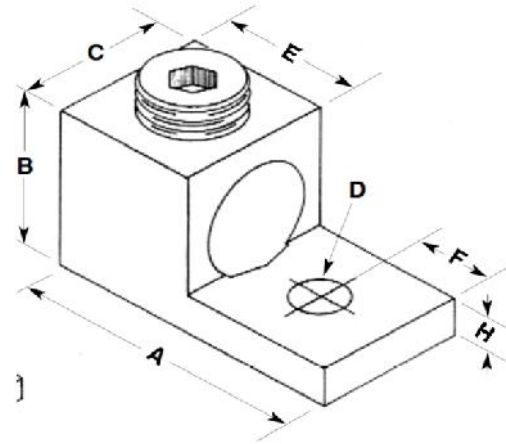


## Mechanical Lug - Single

Drawn - SD  
 Approved - KM  
 Material - Aluminum  
 Title - Mechanical Lug - Single  




| Part Number | Wire Range | Material | A     | B     | C     | D     | E     | F     | H     |
|-------------|------------|----------|-------|-------|-------|-------|-------|-------|-------|
| 3/0T        | 3/0-6 AWG  | Aluminum | 1.875 | 0.890 | 0.700 | 0.265 | 0.880 | 0.500 | 0.145 |