

GROUNDING

Ground Clamps

Zinc Die Cast & Standard Duty Silicon Bronze
GZ, GRC Series



SPECIFICATIONS

Zinc Die-Cast Ground Clamps (GZ)

- cULus Listed 467 Grounding & Bonding.
- UL467 Listed, Grounding & Bonding.
- CSA.

Standard Duty Silicon Bronze (GRC)

- cULus Listed 467 Grounding and Bonding.
- UL467 Listed, Grounding & Bonding.

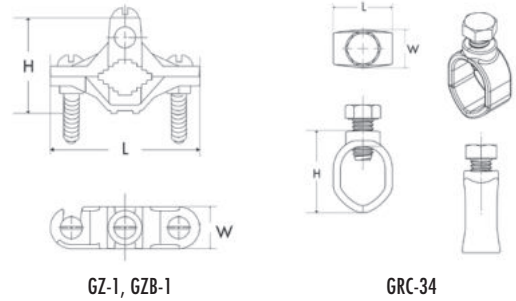
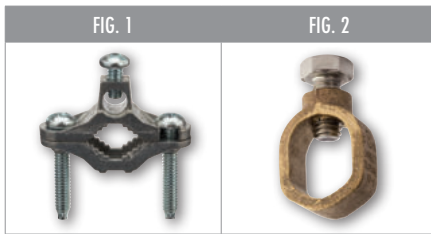
FEATURES

Zinc Die-Cast Ground Clamps (GZ)

- Die cast from high-strength zinc alloy.
- Used to connect bare copper wire for grounding.
- Zinc plated steel screws.
- GZB-1 is brass plated and not UL Listed.

Standard Duty Silicon Bronze (GRC)

- Ground rod clamps are made from silicon bronze with 304 stainless steel screws for maximum strength.
- All standard duty and heavy duty ground clamps are UL Listed for direct burial in earth or concrete.
- **Available with silicon bronze screws by adding suffix of -SB.



CAT. NO.	FIG. NO.	CERTIFICATION	GROUND WIRE RANGE (IN.)	CONDUIT SIZE (IN.)	GROUND ROD SIZE (IN.)	REBAR SIZE (IN.)	GROUND WIRE MAXIMUM (IN.)	STD. CTN. QTY.
GZ-1	1	UL	2 - 10	1/2 - 1	–	–	–	20
GZB-1	1	–	2 - 10	1/2 - 1	–	–	–	20
GRC 38**	2	–	–	–	3/8	–	10 SOL – 4 STR	50
GRC 50**	2	cULus	–	–	1/2	3/8	10 SOL – 2 STR	25
GRC 58**	2	cULus	–	–	5/8	1/2	10 SOL – 2 STR	25
GRC 34**	2	cULus	–	–	3/4	5/8	10 SOL – 1 STR	20

GROUNDING

Scan QR code for mobile access to Grounding drawings.

