

GROUNDING

Ground Clamps

Rigid Conduit with Flexible Wire Strap

G Series

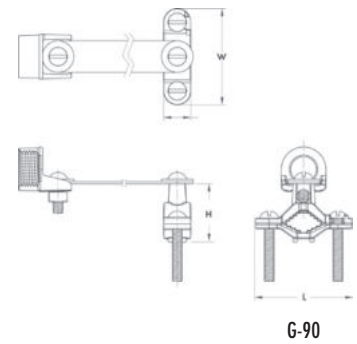
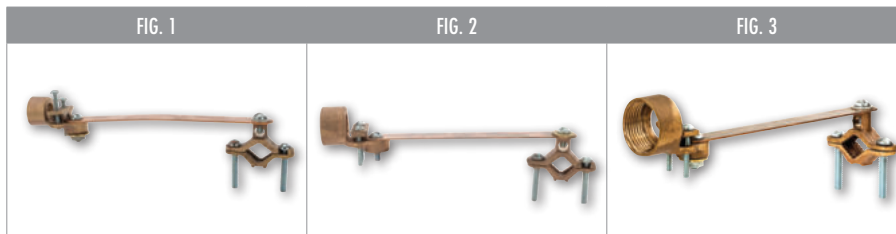


SPECIFICATIONS

- cULus Listed 467 Grounding & Bonding.
- UL467 Listed, Grounding & Bonding.
- CSA.

FEATURES

- For connecting the grounding conductor in rigid conduit to water pipe.
- Copper strap allows flexibility during grounding and helps protect the conduit system from the results of vibrations in the water system.
- Assembled with zinc-plated steel screws.



CAT. NO.	FIG. NO.	CERTIFICATION	PIPE SIZE (IPS) (IN.)	GROUNDWIRE RANGE (IN.)	CONDUIT HUB SIZE (IN.)	STD. CTN. QTY.
G-90	1	cULus	1/2 - 1	10 SOL - 2/0 STR	1/2	15
G-79	2	UL	1/2 - 1	10 SOL - 2/0 STR	3/4	12
G-83	3	UL	1/2 - 1	10 SOL - 3/0 STR	1	12

GROUNDING

Scan QR code for mobile access to Grounding drawings.

