

GROUNDING

Ground Clamps

Aluminum & Bronze Ground Clamps

GCA, G Series



SPECIFICATIONS

Aluminum Ground Clamps (GCA)

- cULus Listed 467 Grounding & Bonding.
- UL467 Listed, Grounding & Bonding.

Bronze Ground Clamps With Wire Adapters (G)

- UL467 Listed, Grounding & Bonding.

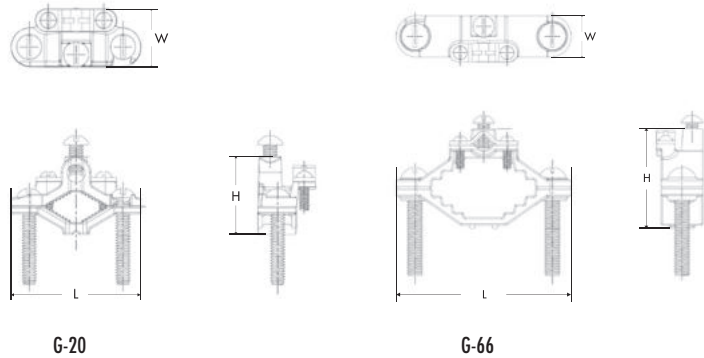
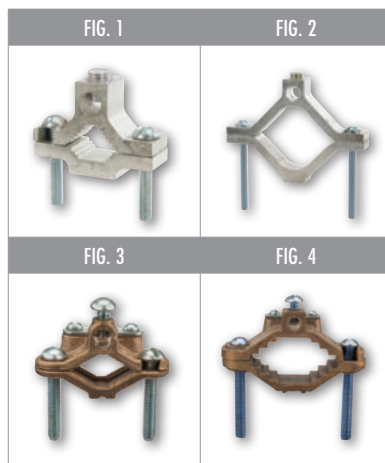
FEATURES

Aluminum Ground Clamps (GCA)

- Dual-rated ground clamp that grounds aluminum or copper to water pipe, galvanized pipe or steel conduit.
- Constructed from high-strength, extruded aluminum alloy and are plated to provide low-contact resistance.
- Zinc plated steel screws.

Bronze Ground Clamps With Wire Adapters (G)

- For connecting unarmored wire to water pipe for grounding.
- Special pressure bar grips cable to lessen chances of grounding conductor being pulled out.
- Assembled with zinc-plated steel screws.



CAT. NO.	FIG. NO.	CERTIFICATION	PIPE SIZE (IPS) (IN.)	GROUND WIRE RANGE (IN.)	GROUND WIRE BOLT SIZE (IN.)	GROUND CLAMP BOLT SIZE (IN.)	LENGTH (L) (IN.)	WIDTH (W) (IN.)	HEIGHT (H) (IN.)	STD. CTN. QTY.
GCA-1	1	UL	1/2-1	1/0-14 AWG	—	—	2.260	0.685	1.670	25
GCA-2	1	UL	1 1/4-2	250 MCM-6 AWG	—	—	3.760	0.828	2.930	10
GCA-4	2	UL	2 1/2-4	250 MCM-6 AWG	—	—	6.125	0.996	4.630	3
G-20	3	UL	1/2-1	4,6,8 STR	1/4 - 20 x 1/2	1/4 - 20 x 1 1/2	2.250	1.000	1.350	20
G-66	4	UL	1 1/4-2	4,6,8 STR	1/4 - 20 x 1/2	5/16 - 18 x 2	3.580	0.850	2.040	10



Scan QR code
for mobile access to
Grounding drawings.