

# GROUNDING

## Ground Clamps

### Heavy Duty Direct Burial & with Adapters G-DB Series



#### SPECIFICATIONS

##### Direct Burial With Wire Adapters (G-20DB)

- cULus Listed 467 Grounding & Bonding.
- UL467 Listed, Grounding & Bonding.
- CSA.
- **Application:** UL Listed for direct burial in earth and concrete.

##### Extra Heavy Duty Direct Burial (G-140DB)

- cULus Listed 467 Grounding & Bonding.
- UL467 Listed, Grounding & Bonding).
- **Application:** UL Listed for direct burial in earth and concrete, be used with rebar, copper water pipe, copper tubing and ground rods up to 1 inch in diameter.

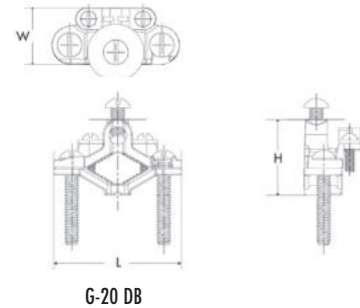
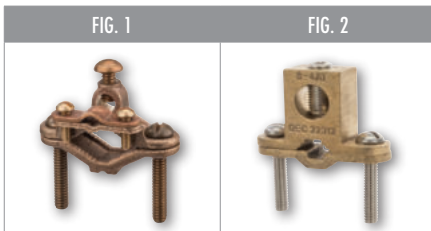
#### FEATURES

##### Direct Burial With Wire Adapters (G-20DB)

- For connecting wire to copper water pipe for grounding.
- Special pressure bar grips cable armor to lessen chances of grounding conductor being pulled out.
- Assembled with silicon bronze screws.

##### Extra Heavy Duty Direct Burial (G-140DB)

- This incredible ground clamp can handle just about any size ground wire and just about any application.
- Assembled with tough 304 stainless steel screws.
- Will accommodate ground wires from 8 AWG to 4/0 AWG.



CAT. NO.	FIG. NO.	CERTIFICATION	PIPE SIZE (IPS) (IN.)	GROUND WIRE RANGE (IN.)	REBAR SIZE (IN.)	GROUND ROD SIZE (IN.)	LENGTH (L) (IN.)	WIDTH (W) (IN.)	HEIGHT (H) (IN.)	STD. CTN. QTY.
G-20DB	1	UL	1/2 - 1	4,6,8 STR	-	-	2.250	1.000	1.350	20
G-140DB	2	cULus	1	8 STR-4/0 STR	3/8-1	1/2-1	2.362	0.669	1.761	10

GROUNDING

Scan QR code  
for mobile access to  
Grounding drawings.

