

GROUNDING

Ground Clamps

Copper & Tin Plated Copper Lay-In Lugs

GLC, GLA Series



SPECIFICATIONS

GLC-4, GLC-4 DB/GLC-4 DBP

- cULus Listed 467 Grounding & Bonding.
- UL467 Listed, Grounding & Bonding.
- *UL486 A Listed wire connector.
- **Temperature Rating:** 90 °C.
- **Voltage:** 600V.

Dual Rated Lay-In Lugs (GLA)

- cULus Listed 467 Grounding & Bonding.
- UL467 Listed, Grounding & Bonding (GLA-4).
- **UL486 B Listed wire connector.
- **Temperature Rating:** *Dual rated lay-in 90 °C.
- **Voltage:** 600V.

FEATURES

- Lay-in lugs are used for grounding or in continuous loop bonding and are available in several variations, depending on the application.

GLC-4

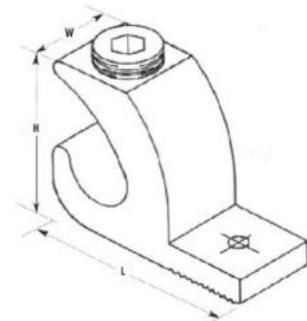
- Copper body with a steel screw and is used for general grounding applications with copper wire.

GLC-4 DB/GLC-4 DBP

- Copper bodies with stainless steel screws, are UL Listed for direct burial in earth or concrete with copper wire.

Dual Rated Lay-In Lugs (GLA)

- Lay-in connectors offer the ultimate in flexibility.
- Excellent for grounding and continuous loop applications.
- Made of 6061T-6 aluminum alloy.
- Electro-tin plated for low contact resistance.
- For use with copper or aluminum conductors.



GLA Series

| CAT. NO. | FIG. NO. | CERTIFICATION | MATERIAL | WIRE RANGE | USE | LENGTH (L) (IN.) | WIDTH (W) (IN.) | HEIGHT (H) (IN.) | STD. CTN. QTY. |
|-----------|----------|---------------|---|---------------|--------------------------------|------------------|-----------------|------------------|----------------|
| GLC-4* | 1 | cULus | Copper with steel screws | 4 -14 AWG | General use for CU wire only | 1.312 | 0.396 | 0.908 | 100 |
| GLC-4DB* | 1 | cULus | Copper with stainless steel screws | 4 -14 AWG | Direct burial for CU wire only | 1.312 | 0.396 | 0.908 | 100 |
| GLC-4DBP* | 2 | cULus | Tin-plated copper with stainless steel screws | 4 -14 AWG | Direct burial for CU wire only | 1.312 | 0.396 | 0.908 | 100 |
| GLA-4** | 3 | cULus | Tin-plated aluminum with stainless steel screws | 4-14 AWG | General use for AL/CU wire | 1.070 | 0.380 | 0.750 | 100 |
| GLA-0** | 3 | cULus | Tin-plated aluminum with steel screws | 1/0-8 AWG | General use for AL/CU wire | 1.500 | 0.600 | 1.100 | 40 |
| GLA-000** | 3 | cULus | Tin-plated aluminum with steel screws | 3/0-6 AWG | General use for AL/CU wire | 2.000 | 0.800 | 1.500 | 20 |
| GLA-250** | 4 | cULus | Tin-plated aluminum with steel screws | 250 MCM-6 AWG | General use for AL/CU wire | 2.200 | 0.800 | 1.700 | 20 |

Scan QR code for mobile access to Grounding drawings.

