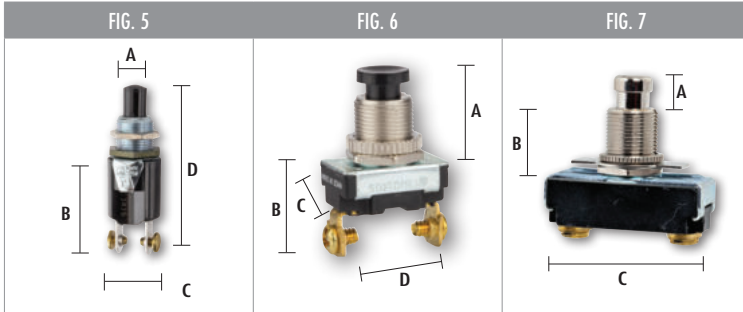
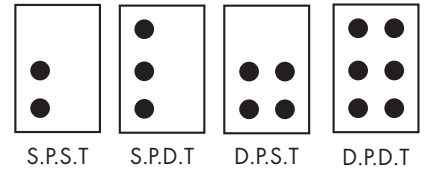


SWITCHES

Pushbutton Switches Cont'd

TERMINAL POSITIONS



CAT. NO.	FIG. NO.	CIRCUIT FUNC.	POLES & THROWS	AMPS 125VAC	RATINGS AMPS 250VAC	HP 125-250VAC	ACTUATOR STYLE	ACTUATOR MATERIAL	CONTACT	CONN. TYPE	STD. CTN. QTY.
76020PS	5	OFF(O.N)	SPST N.O.	3/4	1/4	—	Pushbutton	Nylon	Momentary	Screws	5
76030PS	5	ON (OFF)	SPST N.C.	3/4	1/4	—	Pushbutton	Nylon	Momentary	Screws	5
Dimensions (IN)	5	A: 0.460	B: 1.070	C: 0.650	D: 1.950	—	—	—	—	—	—
76065PS	6	OFF(O.N)	SPST N.O.	3	—	—	Pushbutton	Plastic	Momentary	Screws	5
Dimensions (IN)	6	A: .689	B: 1.406	C: .563	D: .875	—	—	—	—	—	—
76070PS	7	OFF(O.N)	SPST N.O.	15	10	—	Pushbutton	Brass/Nickel	Momentary	Screws	5
76080PS	7	ON (OFF)	SPST N.C.	15	10	—	Pushbutton	Brass/Nickel	Momentary	Screws	5
Dimensions (IN)	7	A: .576	B: .562	C: 1.382	—	—	—	—	—	—	—

() = Momentary Position. N.O. = Normally Open. N.C. = Normally Closed.