

CONNECTORS EASY-TAP™

Dual Rated, Insulation Piercing Connectors IPCS Series

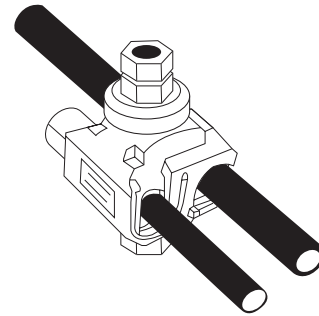


SPECIFICATIONS

- UL486B Listed Wire Connector.
- Meets ANSI C119.4 requirements.
- Temperature Rating: 90 °C.
- Voltage: 600V.

FEATURES

- Safe to use, versatile and reliable.
- No need to strip wire and totally insulated.
- No tape or cover needed.
- No contact at any point with a live part.
- Can be installed on energized conductors.
- No spacer required between connections.
- Exclusive "turbo spacer" keeps tap side open while main conductor is being tightened.
- No need for a third hand to install.
- Watertight and corrosion-free.
- Connection sealed by a rubber grommet.
- No migration of water.
- No contamination between main and tap.
- Connectors handle a large wire range of #14awg to 750mcm.
- Double shear-head bolts ensure perfect connection every time Hot spots eliminated.
- Can be used as a splice or a tap.
- Easy to install and no special tools required.
- For copper-to-copper, copper-to-aluminum and aluminum-to-aluminum applications.
- Suitable for solid and/or stranded wires.
- 4 sizes are approved for use with bare wire (from 4/0 to #10) - these connectors come with a blue insert which re-creates the insulation and avoids any damage to the conductor.
- *Cannot be used with bare wire or as a splice.
- **Cannot be used with bare wire. All sizes can be installed on energized main conductor, however, the tap must not be under load.
- Not recommended for use with extra-flexible cables. Not approved for submersible applications.



CAT. NO.	CONDUCTOR RANGE		CURRENT RATING		DIMENSIONS (IN.)			NO. OF BOLTS	STD. PACK QTY.	STD. CTN. QTY.
	MAIN AWG	TAP AWG	CU AMP	AL AMP	HEIGHT	WIDTH	LENGTH			
IPCS2001*	2/0 – 4	10 – 14	55	40	3.000	1.800	2.200	1	1	6
IPCS7501*	750 – 3/0	10 – 14	55	40	3.700	2.400	2.600	1	1	6
IPCS1002 (Not UL)	1/0 – 8	2 – 10	190	150	3.100	1.800	2.200	1	1	6
IPCS1010 (Not UL)	1/0 – 8	1/0 – 8	190	150	3.100	1.800	2.200	1	1	6
IPCS4002*	4/0 – 3	2 – 10	190	150	3.100	1.800	2.200	1	1	6
IPCS4020 (Not UL)	4/0 – 2	2/0 – 6	300	235	3.300	2.200	2.600	1	1	4
IPCS4040 (Not UL)	4/0 – 2	4/0 – 4	405	315	3.300	2.400	3.500	1	1	4
IPCS2540**	250 – 1	4/0 – 4	405	315	3.500	2.200	2.600	1	1	4
IPCS3535**	350 – 1/0	350 – 1/0	570	445	4.500	3.000	3.900	2	1	2
IPCS5040**	500 – 2/0	4/0 – 4	405	315	4.500	3.000	3.900	2	1	2
IPCS5035**	500 – 4/0	350 – 1/0	570	445	4.500	3.000	3.900	2	1	2
IPCS7550**	750 – 250	500 – 250	700	545	4.700	3.300	4.300	2	1	2