

Date:	Type:
Project Name:	Part Number:

DECO SERIES

LED FLUSH MOUNT CEILING FIXTURE WITH MICROWAVE SENSOR



Detection:
360° x 8m

Lux
Setting

Time on:
5s to 15m



BUILD IN
MICROWAVE SENSOR

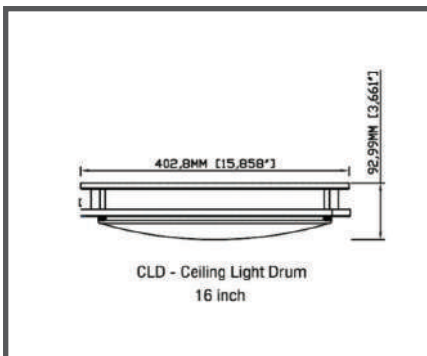
APPLICATIONS

- Residential Ceiling
- Commercial Building
- Public Hallway

FEATURES

- Energy Star Listed
- Brush nickel (Stainless steel) finish
- Outstanding lumen Output
- Mercury Free
- Elegant design & Durability
- Easy Installation & Maintenance
- 50,000 hours lifespan(L70)
- 5-year warranty
- IP44 water-resistant rated
- Dim Level 30%
- Lux level sensing (5lux, 30lux, 150lux, 2000lux)
- Detection range (2m, 5m, 8m)
- Timer setting (5sec, 90sec, 5min, 15min)

DIMENSION



SPECIFICATION

ORDER #	MODEL#	SIZE	LUMENS OUTPUT	WATTS	VOLTS	POWER FACTOR	CCT	CRI
R31001	RENO-CLD-16W-830K-16"BN-SEN	16"	1300lm	16W	120-277V	0.9	3000K	80
R31002	RENO-CLD-16W-840K-16"BN-SEN	16"	1300lm	16W	120-277V	0.9	4000K	80



905-604-4666



info@renolighting.com



www.renolighting.com