

Date:

Type:

Project Name:

Part Number:

DECO SERIES

LED FLUSH MOUNT CEILING FIXTURE



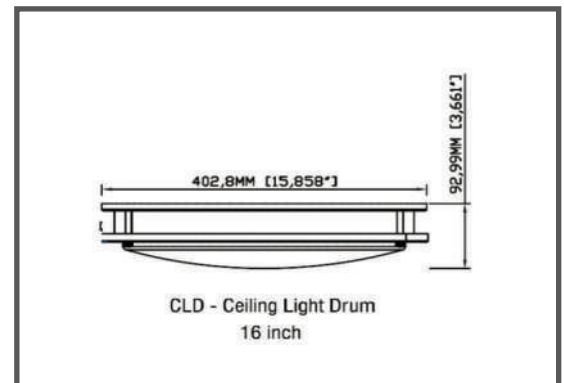
APPLICATIONS

- Residential Ceiling
- Commercial Building
- Public Hallway

FEATURES

- Energy Star Listed
- Brush nickel (Stainless steel) finish
- Outstanding lumen Output
- Mercury Free
- Elegant design & Durability
- Easy Installation & Maintenance
- 50,000 hours lifespan
- 5-year warranty
- Multi CCT and Selectable Wattage

DIMENSION



SPECIFICATION

ORDER #	MODEL#	SIZE	LUMENS OUTPUT	WATTS	VOLTS	POWER FACTOR	CCT	CRI
R31012	RENO-CLD-16"-BN-MW-MCCT	16"	1300/1600/2100	14/18/24W	120-277V	0.9	3000/4000/5000K	80

