

Date:	Type:
Project Name:	Part Number:

## LED SLIM CANOPY



Plug-in Dimming Sensor/Photocell



## SPECIFICATION

ORDER #	MODEL #	WATTS	DIMMABLE	VOLTAGE(V)	HOUR RATING	BEAM ANGLE	INITIAL LUMENS	CCT(K)
R52010	RENO-CP-30W-DV-MCCT	30W	0-10 VDC	120-347V	50,000	140°	3900	3000K/4000K 5000K
R52011	RENO-CP-48W-DV-MCCT	48W	0-10 VDC	120-347V	50,000	140°	6240	3000K/4000K 5000K
R52012	RENO-CP-70W-DV-MCCT	70W	0-10 VDC	120-347V	50,000	140°	9100	3000K/4000K 5000K
R39405	RENO-LHB-SENSOR	BI-LEVEL DIMMING SENSOR FOR CANOPY						
R39406	RENO-LHB-CONTROLLER	CONTROLLER FOR BI-LEVEL SENSOR						

## DESCRIPTION

Quick to install, the RENO LED Slim Canopy is the ideal retrofit solution for 70-250W HID garage and canopy luminaires. DLC listed and ETL for wet locations with a rating of IP65. Aesthetically pleasing construction, low-profile design with die-cast aluminum housing and shatter-resistant polycarbonate prismatic lens.

## FEATURES

- DLC Listed
- Aluminum Alloy & PC Material
- High and stable lumen output
- Dual Wide Voltage 120-347V
- Elegant and Efficient design
- Easy Installation & Maintenance
- 50,000 hours lifespan or 10-year Limited Warranty
- Selectable CCT 3000K/4000K/5000K
- Custom colours available

## APPLICATIONS

- Parking Garage
- Gas Station

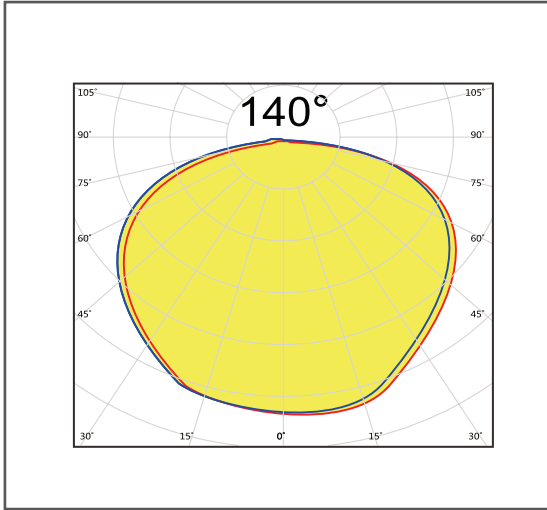
Date:

Type:

Project Name:

Part Number:

### LUMINOUS EMITTANCE



### DIMENSION



### MOUNTING OPTIONS

