

LED Linear Strip with Built in Bi-Level Dim Sensor



BUILT IN SENSOR



FEATURES

- Dual Voltage 120-347V
- 0-10V Continuous Dimming
- Surface or Suspension Mounting options
- Easy and Safe Installation
- The field adjustable Multi-Colour
- Frosted Polycarbonate Lens
- 100,000 hours Lifespan
- Ambient Temperature: -30°C - +50°C
- Suitable for Damp Locations
- Includes Coverplate and V-Hangers
- Built in sensor (Default : Dim to 30% after 5 mins)

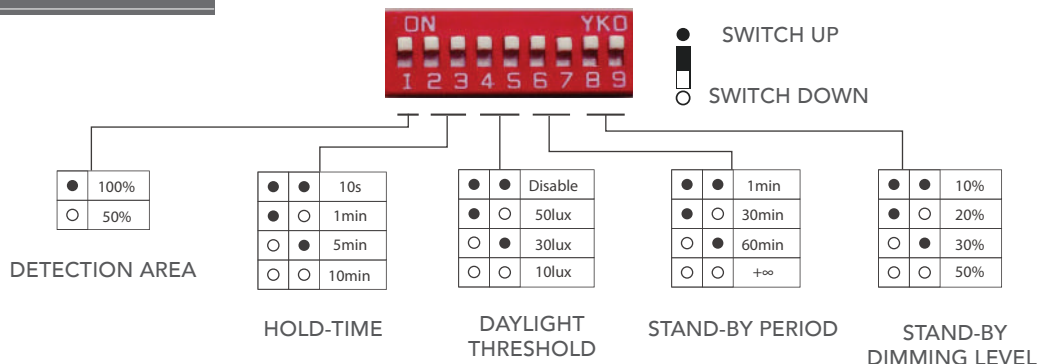
APPLICATIONS

- Parking Garage
- Stairwell
- Low Bay Application
- Warehouse

SPECIFICATION

ORDER #	MODEL#	LUMENS OUTPUT	LUMINOUS EFFICACY	WATTS	VOLTAGE	CCT	CRI	
R33020	RENO-LSN4-DV-MCCT-MW-MS(4FT)	2970/3780/4860/5940lm	130lm/W	22/28/36/44W	120-347V	3500/4000/5000K	≥ 80	
R33021	RENO-LSN8-DV-MCCT-MW-MS(8FT)	6480/9180/12150lm	130lm/W	48/68/90W	120-347V	3500/4000/5000K	≥ 80	
R39408	RENO-LHB-Controller	Controller for Bi-Level Sensor (optional)						

SETTING

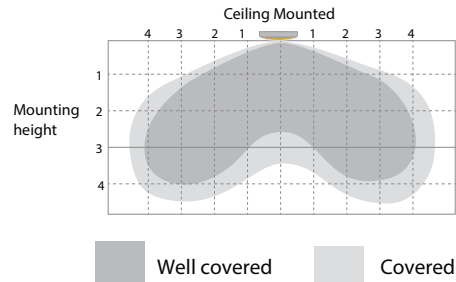




Date:	Type:
Project Name:	Part Number:

DETECTION COVERAGE

Typical installation height 2.5-4m
 This figure indicates the maximum distance at the highest mounting height with 100% sensitivity.



DIMENSION for 4ft.

FRONT

46.8"

2.71"
2.58"

BACK

DIMENSION for 8ft.

FRONT

93.6"

2.71"
2.58"

BACK

■ 0°H ■ 90°H ■ 45°H

