

Date:

Type:

Project Name:

Part Number:

ZENITH SERIES

LED LINEAR HIGHBAY (MULTI CCT/WATTAGE)

ALL IN ONE

DESCRIPTION

Reno Lighting's Zenith Series is the newest addition to our line of LED Highbay fixtures. With its modern and sleek design, it features a slim and light weight profile that will improve the aesthetics of any industrial, commercial or high ceiling retail facility. This new design allows the driver channel to be spaced away from the LEDs allowing for better airflow and thermal management. This unique design contributes to a significantly longer lifespan while increasing efficiency to as high as 150 lm/W.

FEATURES

- DLC Premium, Exceptional efficacy 150 LPW.
- Minimum glare with frosted PMMA lenses.
- 0-10V dimming control compatible
- Operating temperature: -20°C/-4°F to 50°C/122°F
- Dual Voltage 120-347V
- Shipped with V-Hooks, Chain & 10 FT. Cord
- LED chip lifetime: L70 > 70,000+ hours , CRI 80
- 10 year Limited warranty

APPLICATIONS

- Warehouse
- Commercial Building
- Industrial
- Retail Facility



OPTIONAL PLUG-IN MICROWAVE DIMMING SENSOR



SWITCH ON THE SIDE








SPECIFICATION

ORDER #	MODEL#	WATTS	EFFICACY (lm/w)	LUMENS OUTPUT	VOLTS	CCT
R34111	RENO-LHB2-DV-MV-MCCT-R1	100/125/140W	150lm/w	15000/18750/21000lm	120-347V	3500K/4000K/5000K
R34112	RENO-LHB2-DV-MV-MCCT-R2	145/160/175W	150lm/w	21750/24000/26250lm	120-347V	3500K/4000K/5000K
R34113	RENO-LHB2-DV-MV-MCCT-R3	180/210/230W	150lm/w	31500/34500/37800lm	120-347V	3500K/4000K/5000K

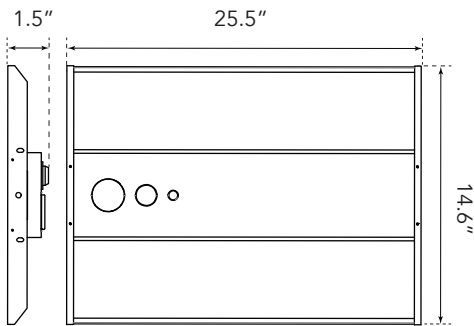
Date:	Type:
Project Name:	Part Number:

OPTIONAL ACCESSORIES

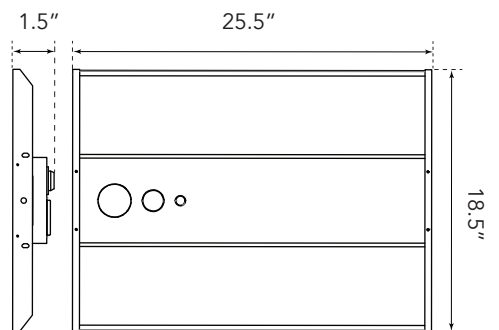
IMAGE	ORDER#	MODEL#	DESCRIPTION
	R39407	RENO-LHB-SENSOR	Bi-Level Dim Sensor for Linear Highbay
	R39408	RENO-LHB-CONTROLLER	Controller for Bi-Level Sensor
	R39301	RENO-LHB-HPM	Center Box for Pendant Mounting
	R39305	RENO-LHB-CK-R1	Connection Kit for ganging Highbays R1
	R39306	RENO-LHB-CK-R2/R3	Connection Kit for ganging Highbays R2/R3
	R39303	RENO-LHB-WG-R1	Wire Guards for Linear Highbays R1
	R39304	RENO-LHB-WG-R2/R3	Wire Guards for Linear Highbays R2/R3

DIMENSIONS

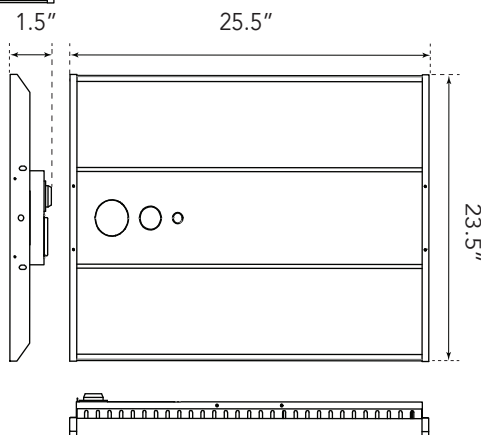
▪ R1
11 lbs



▪ R2
15 lbs

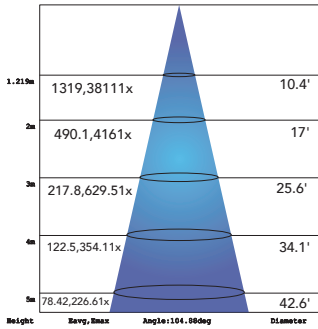
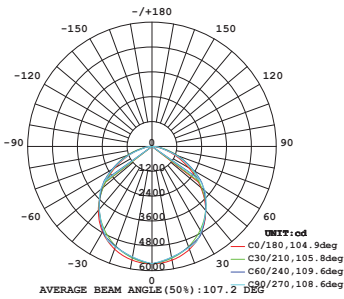


▪ R3

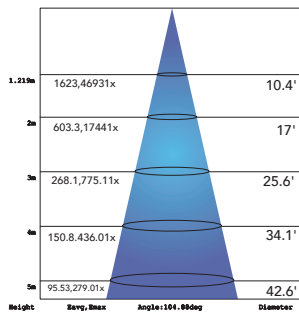
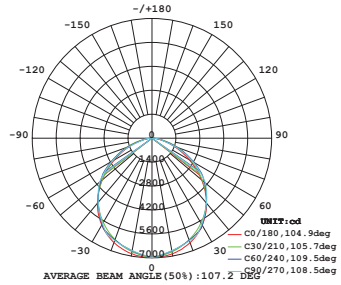


LUMINOUS EMITTANCE

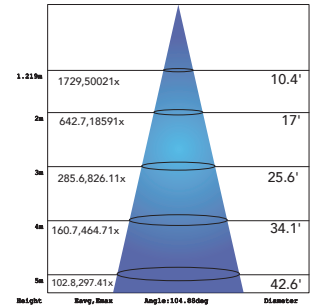
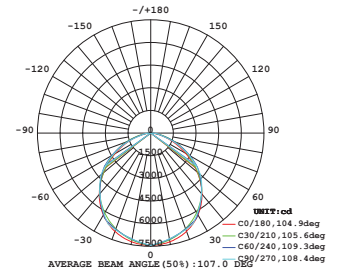
▪ R1 100W



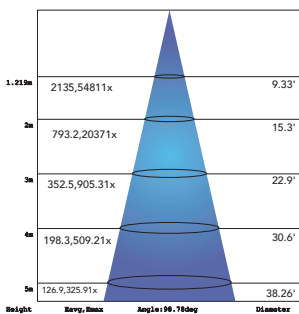
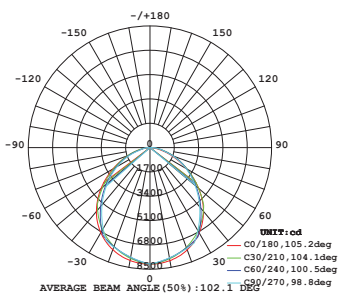
▪ R1 125W



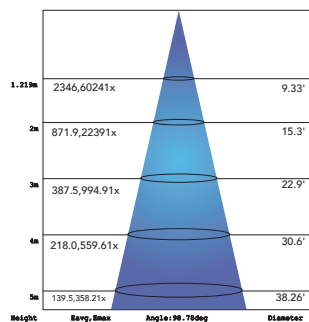
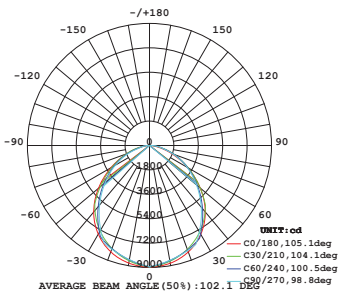
▪ R1 140W



▪ R2 145W



▪ R2 160W



▪ R2 175W

