

Date:

Type:

Project Name:

Part Number:

LED EDGE-LIT RUNNING MAN SIGN



FEATURES

- Injection molded thermoplastic ABS housing
- UL-94V-0 Flame rating, fire-resistant
Power consumption :3W MAX
- 120/277/347V Dual Voltage Inpute
- 90 minute battery backup
- 5 Year Warranty

APPLICATIONS

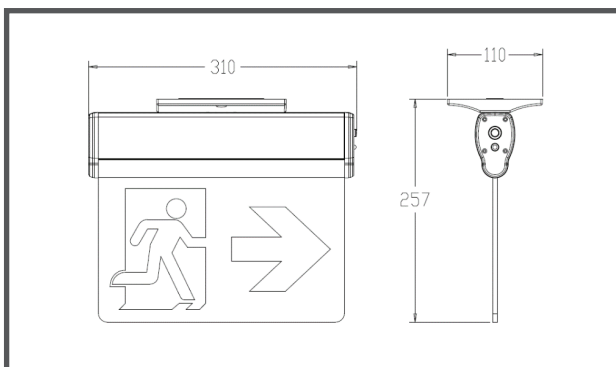
- Commercial Applications
- Space mounting locations



SPECIFICATION

ORDER#	MODEL#	TYPE	BATTERY	VOLTAGE	FREQUENCY	LAMP HEAD
R61003	RENO-REL-U	Exit sign	3.6V Ni-cad	120/277/347V	60Hz	No

DIMENSION



PICTOGRAM

