

| | |
|---------------|--------------|
| Date: | Type: |
| Project Name: | Part Number: |

By Pass /Line Voltage LED T5 Tube (Type B) (Double ended)



FEATURES

- Built-in safety switch prevents electrical shock during installation
- Operates directly on 120-277V & 347V line voltage
- Direct replacement for F54T5/HO Fluorencent Lamp Rated for use in fully enclosed fixtures.
- Suitable for use in dry and damp locations.
- NSF Listed: NSF/ANSI Standard 2 - Food Equipment
- Operating Temperature: -20°C/-4°F to 45°C/113°F
- 50,000+ Hour Lifetime(L70)
- 7 year warranty

APPLICATIONS

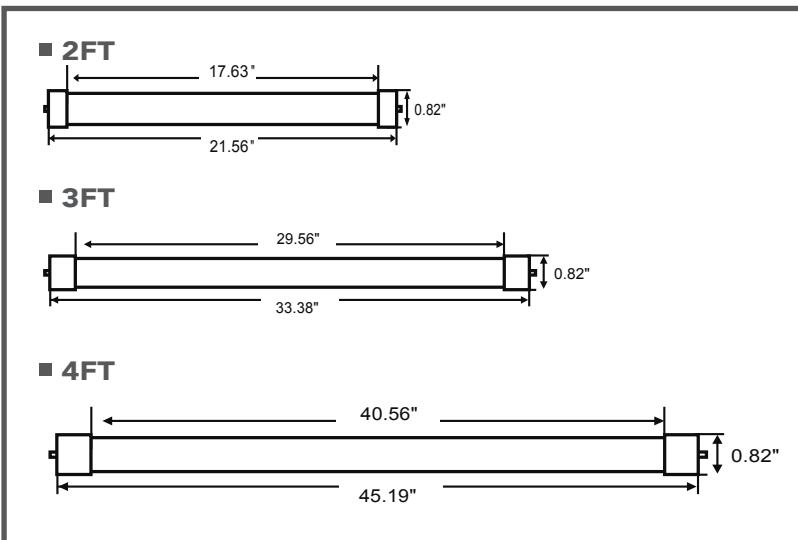
- Office Lighting
- Commercial Applications
- Residential
- Food Service Equipment



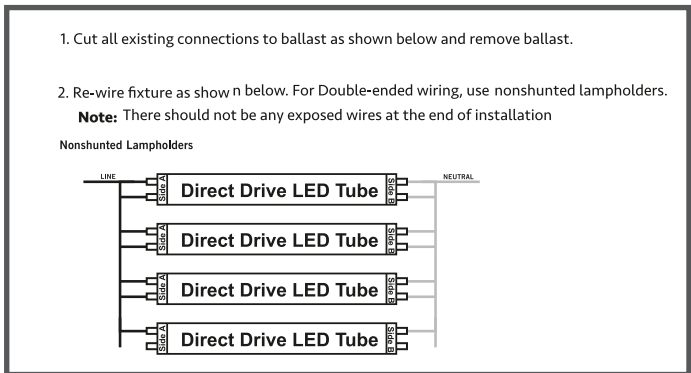
SPECIFICATION

| ORDER # | MODEL # | LENGTH | WATTS | BASE | VOLTAGE(V) | HOUR RATING | BEAM ANGLE | INITIAL LUMENS | CCT(K) | CRI |
|---------|---------------------|--------|-------|------|------------|-------------|------------|----------------|--------|-----|
| R42106 | WLL-LEDT5BP9D/840 | 2' | 9W | G5 | 120-277V | 50,000 | 330° | 1200 | 4000K | 83+ |
| R42107 | WLL-LEDT5BP12D/840 | 3' | 12W | G5 | 120-277V | 50,000 | 330° | 1600 | 4000K | 83+ |
| R42108 | WLL-LEDT5BP13D/840 | 4' | 13W | G5 | 120-277V | 50,000 | 330° | 1800 | 4000K | 83+ |
| R42101 | WLL-LEDT5BP25DV/840 | 4' | 25W | G5 | 120-347V | 50,000 | 330° | 3300 | 4000K | 83+ |
| R42102 | WLL-LEDT5BP25DV/850 | 4' | 25W | G5 | 120-347V | 50,000 | 330° | 3400 | 5000K | 83+ |

DIMENSIONS



DOUBLE-ENDED WIRING DIAGRAM





Date:

Type:

Project Name:

Part Number:

RENO GLASS VS PLASTIC

Plastic Tube

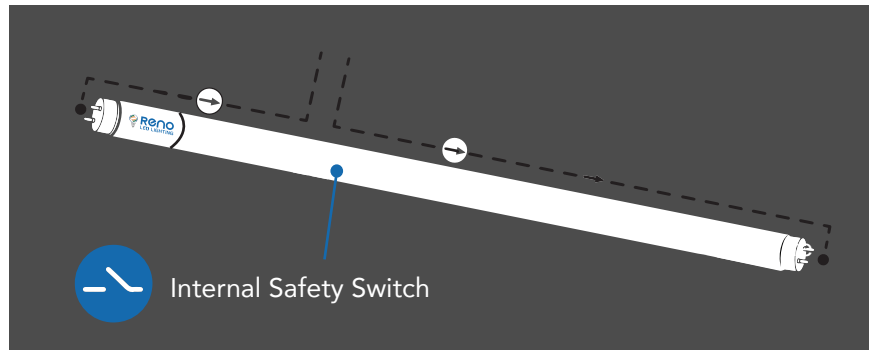


RENO Glass



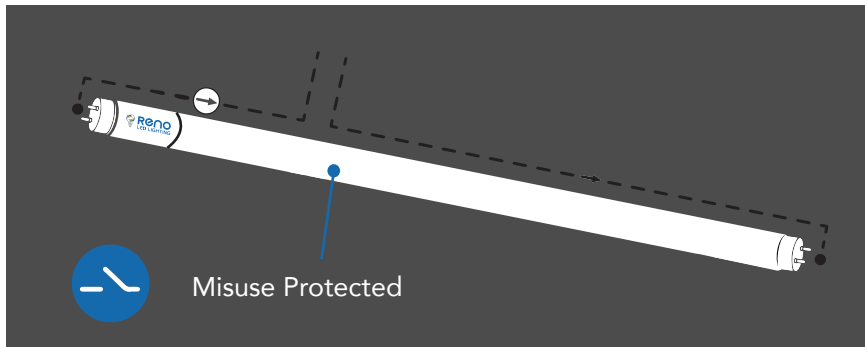
BUILD IN PROTECTION FEATURES

INTERNAL SAFETY SWITCH



Internal Safety Switch for installation protection.
(No current will flow until pins on both ends are engaged)

MISUSE PROTECTED FUNCTION



Misuse - Protected function, if forgot to by-pass the ballast, the lamp won't work, no risk of fire or cap melting.

