

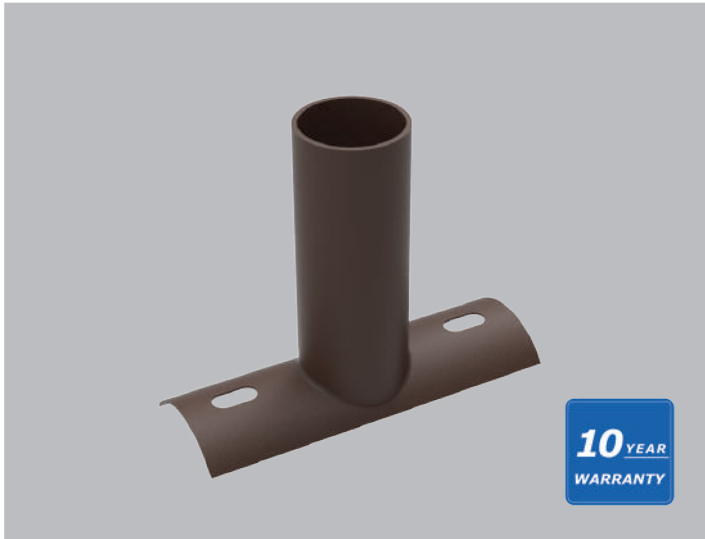
Date:

Type:

Project Name:

Part Number:

RENO-RPST Side Tenon Bracket – 5" Tenon



DESCRIPTION

The RENO-RPST is designed to mount to a round steel pole 4-inches and larger. The outside diameter of the tenon is 2 3/8" working perfectly with the standard Slip-Fitter accessory.

FEATURES

- 2 3/8" horizontal tenon
- Round Pole Mount
- Adjustable slot mounting holes
- Powder coated steel
- Matte Black Finish
- 10 Year Warranty
- Custom colours available

ORDER #	MODEL #	DESCRIPTION
R59302	RENO-RPST	Side Tenon Bracket – 5" Tenon

DIMENSION

