



INSTALLATION INSTRUCTIONS

LED DECORATIVE DOME CEILING FIXTURES

Model Number#

- RENO-CLD-10"-BN-MW-MCCT-G2
- RENO-CLD-12"-BN-MW-MCCT-G2
- RENO-CLD-14"-BN-MW-MCCT-G2
- RENO-CLD-16"-BN-MW-MCCT-G2
- RENO-CLD-14"-BN-MW-MCCT
- RENO-CLD-16"-BN-MW-MCCT
- RENO-CLD-14-BN-MCCT-MS
- RENO-CLD-16-BN-MCCT-MS

DIMMABLE*

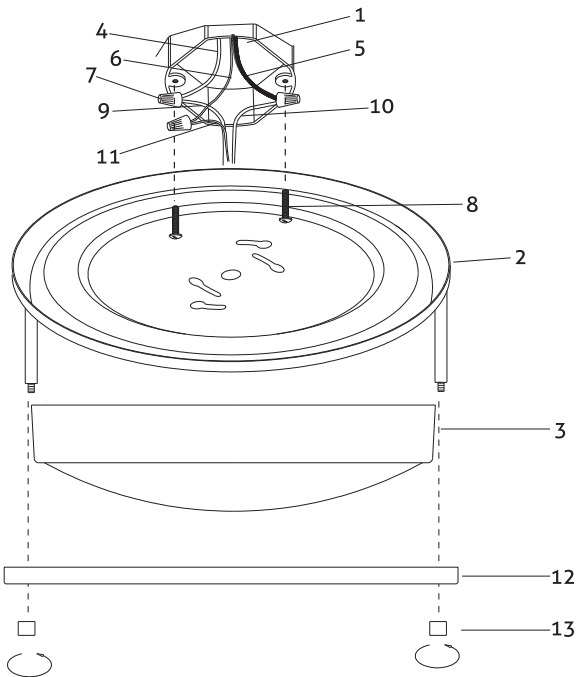
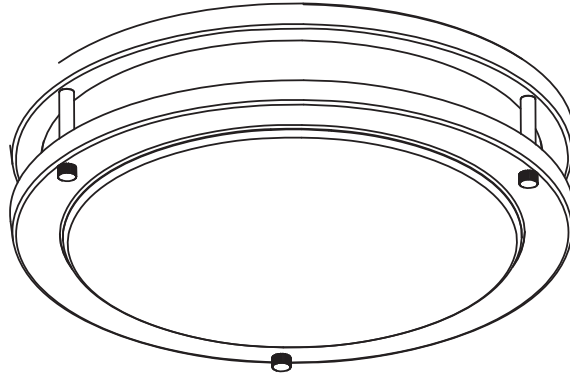
Please read and understand this entire manual before attempting to assemble, operate or install the product.

WARNING: Avoid fire or electric shock. Follow installation instructions carefully. If unsure about electrical installation, consult a qualified electrician. Wear rubber-soled shoes and work on a sturdy wooden ladder. Ground fixture to avoid potential electric shock. Handle metal parts carefully to prevent cuts. To avoid a hazard to children, account for all parts and destroy all packing materials. This product is suitable for indoor damp applications.

CAUTION: Turn off power at fuse or circuit breaker box before installation and maintenance. Fixture must be installed according to National Electric Code and local building codes. If you are unsure about wiring, consult a qualified electrician. THIS FIXTURE BODY IS ONE PIECE, DO NOT DISASSEMBLE OR MAKE ALTERATIONS.

This device complies with part 15 of the FCC Rules. Operation is subject to the following two conditions: (1) this device may not cause harmful interference, and (2) this device must accept any interference received, including that may cause undesired operation.

*The fixture may not be compatible with all dimmers. Go to WWW.RENOLIGHTING.COM /Dimmers to find dimmer compatibility information.



- 1. JUNCTION BOX (EXCLUDED)
- 2. FIXTURE PAN
- 3. LENS
- 4. WHITE SUPPLY WIRE
- 5. BLACK SUPPLY WIRE
- 6. HOUSE GROUND WIRE
- 7. WIRE NUTS
- 8. FIXTURE SCREW
- 9. WHITE FIXTURE WIRE
- 10. BLACK FIXTURE WIRE
- 11. FIXTURE GROUND WIRE
- 12. RING
- 13. CAP NUTS

WARNING! BEFORE PROCEEDING, PLEASE ENSURE POWER HAS BEEN SWITCHED OFF.

1. Pull the supply wires (4, 5, 6) out of the junction box (1).
2. Thread the fixture screws (8) into the appropriate threaded holes of the junction box (1).
3. Connect the fixture black wire (10) to the black supply wire (5) white fixture wire (9) to the white supply wire (4) and fixture ground wire (11) to the supply ground wire (6) using wire nuts (7). Wrap all wire connections with electrical tape to ensure secure connection.
4. Carefully tuck all wires back into the junction box. Place the fixture pan (2) over the junction box and feed fixture screws (8) through keyhole slots. Rotate the fixture pan(2) clockwise until screws (8) lock into the narrow end of the keyhole slots and tighten screws firmly.
5. Secure the lens (3) and ring (12) to fixture pan (2) using three cap nuts (13).
6. Installation complete, restore power at the circuit breaker.

*. Two switches are for adjusting CCT and Power.

WARRANTY

This fixture is warranted to perform free from defects for five years. If it fails to do so, you may return it with proof of purchase ,please visit WWW.RENOLIGHTING.COM for replacement.

COMPATIBLE DIMMERS

Leviton 6602 Lutron MACL-153M Lutron SCL-153P Leviton 6673 Lutron DVCL-153P Lutron DV-600P
Lutron CTCL-153P Lutron AYCL-153P Lutron 6672 Leviton 6681 Lutron PD-6WCL Lutron LGCL-153P
Dimmable to 10% with most dimmers.

Printed in China

WWW.RENOLIGHTING.COM