

TE222LED, 2-LIGHT TRIMLESS LED MULTIPLE RECESS

PRODUCT DETAILS

| | | |
|---------------|---|------------------|
| No. | : | TE222LED-40-2-01 |
| Product Color | : | BLACK |
| Length | : | 12.25" |
| Width | : | 6.25" |
| Height | : | 7" |




LIGHT SOURCE DETAILS

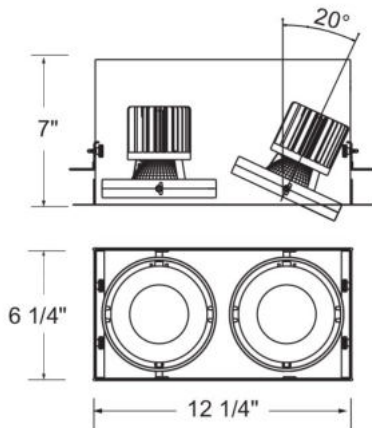
| | | |
|-------------------|---|----------------|
| Light Source Type | : | INTEGRATED LED |
| Input Voltage | : | 120V |
| Bulb Voltage | : | 120V |
| Socket Type | : | LED |
| Total Wattage | : | 52W |
| Total Lumen | : | 5000lm |
| Kelvin | : | 4000K |
| CRI | : | 90 |
| Dimmable | : | Yes |

Options Available

| ITEM NO. | FINISH | SHADE |
|------------------|--------|-------|
| TE222LED-40-2-01 | BLACK | |
| TE222LED-40-2-02 | WHITE | |

TECHNICAL DETAILS

| | | |
|-----------------|---|--|
| Driver | : | Inventronics 35W Current Driver |
| Approval | : |  |
| Title 24 | : | Yes |
| Beam Angle | : | 20 |
| Cut Hole Length | : | 12.5" |
| Cut Hole Width | : | 6.5" |



PROJECT INFORMATION

Job Name: Date: Type:

Comments: