

## TE214B, 4-LIGHT, TRIMLESS MULTIPLE RECESSED, MR16

### PRODUCT DETAILS

No.	:	TE214B-01
Product Color	:	BLACK
Length	:	8.1875"
Width	:	8.1875"
Height	:	5.1875"




### LIGHT SOURCE DETAILS

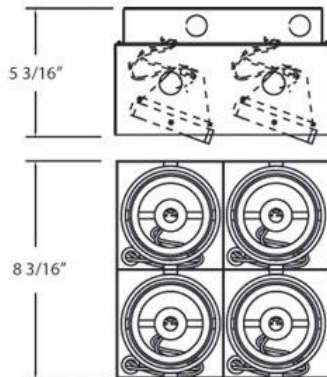
Number of Bulbs	:	4
Light Source	:	Halogen
Light Source Type	:	MR16
Input Voltage	:	120V
Bulb Voltage	:	12V
Socket Type	:	GU5.3
Wattage	:	50W
Total Wattage	:	20W
Bulb Included	:	No
Dimmable	:	Yes

### Options Available

ITEM NO.	FINISH	SHADE
TE214B-01	BLACK	
TE214B-02	WHITE	

### TECHNICAL DETAILS

Location	:	DRY
Approval	:	
Horizontal Adjustment	:	35
Cut Hole Length	:	8.25"
Cut Hole Width	:	8.25"



### PROJECT INFORMATION

 Job Name:       Date:       Type: 

 Comments: