

TE164ALED, 4-LIGHT LINEAR LED MULTIPLE RECESS

PRODUCT DETAILS

| | | |
|-----------------------|---|-------------------|
| No. | : | TE164ALED-40-4-01 |
| Product Color | : | BLACK |
| Shade / Accent Colour | : | BLACK |
| Length | : | 18.375" |
| Width | : | 6.125" |
| Height | : | 6.3125" |
| Weight | : | 6lbs |




LIGHT SOURCE DETAILS

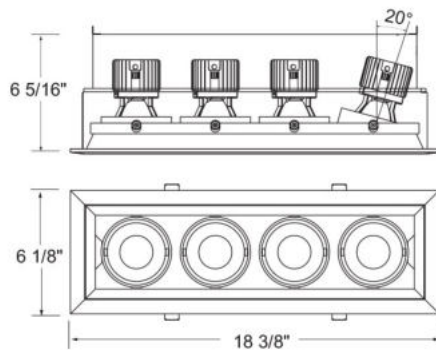
| | | |
|-------------------|---|----------------|
| Light Source Type | : | INTEGRATED LED |
| Input Voltage | : | 120V |
| Bulb Voltage | : | 120V |
| Socket Type | : | LED |
| Total Wattage | : | 60W |
| Total Lumen | : | 5160lm |
| Kelvin | : | 4000K |
| CRI | : | 90 |
| Dimmable | : | Yes |

Options Available

| ITEM NO. | FINISH | SHADE |
|-------------------|----------|-------|
| TE164ALED-40-4-01 | BLACK | BLACK |
| TE164ALED-40-4-02 | WHITE | BLACK |
| TE164ALED-40-4-0N | PLATINUM | BLACK |
| TE164ALED-40-4-22 | WHITE | WHITE |

TECHNICAL DETAILS

| | | |
|-----------------|---|---|
| Driver | : | ES 16.8W Current Driver |
| Location | : | DRY |
| Approval | : |  |
| Title 24 | : | Yes |
| Beam Angle | : | 40 |
| Cut Hole Length | : | 17.375" |
| Cut Hole Width | : | 5.125" |



PROJECT INFORMATION

 Job Name: Date: Type:

 Comments: