

## TE164ALED, 4-LIGHT LINEAR LED MULTIPLE RECESS

### PRODUCT DETAILS

No.	:	TE164ALED-35-4-01
Product Color	:	BLACK
Shade / Accent Colour	:	BLACK
Length	:	18.375"
Width	:	6.125"
Height	:	6.3125"
Weight	:	6lbs




### LIGHT SOURCE DETAILS

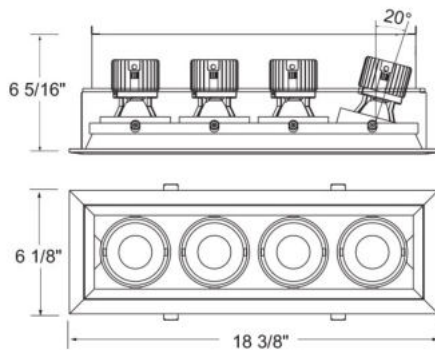
Light Source Type	:	INTEGRATED LED
Input Voltage	:	120V
Bulb Voltage	:	120V
Socket Type	:	LED
Total Wattage	:	60W
Total Lumen	:	5160lm
Kelvin	:	3500K
CRI	:	90
Dimmable	:	Yes

### Options Available

ITEM NO.	FINISH	SHADE
TE164ALED-35-4-01	BLACK	BLACK
TE164ALED-35-4-02	WHITE	BLACK
TE164ALED-35-4-0N	PLATINUM	BLACK
TE164ALED-35-4-22	WHITE	WHITE

### TECHNICAL DETAILS

Driver	:	ES 16.8W Current Driver
Location	:	DRY
Approval	:	
Title 24	:	Yes
Beam Angle	:	40
Cut Hole Length	:	17.375"
Cut Hole Width	:	5.125"



### PROJECT INFORMATION

 Job Name:  Date:  Type: 

 Comments: