

TE163LED, 3-LIGHT LED MULTIPLE RECESS

PRODUCT DETAILS

| | | |
|-----------------------|---|------------------|
| No. | : | TE163LED-40-2-01 |
| Product Color | : | BLACK |
| Shade / Accent Colour | : | BLACK |
| Length | : | 14.375" |
| Width | : | 6.125" |
| Height | : | 6.3125" |




LIGHT SOURCE DETAILS

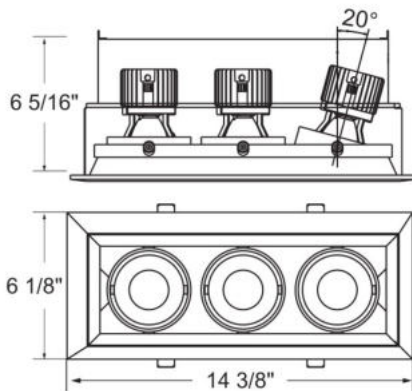
| | | |
|-------------------|---|----------------|
| Light Source Type | : | INTEGRATED LED |
| Input Voltage | : | 120V |
| Bulb Voltage | : | 120V |
| Socket Type | : | LED |
| Total Wattage | : | 45W |
| Total Lumen | : | 3870lm |
| Kelvin | : | 4000K |
| CRI | : | 90 |
| Dimmable | : | Yes |

Options Available

| ITEM NO. | FINISH | SHADE |
|------------------|----------|-------|
| TE163LED-40-2-01 | BLACK | BLACK |
| TE163LED-40-2-02 | WHITE | BLACK |
| TE163LED-40-2-0N | PLATINUM | BLACK |
| TE163LED-40-2-22 | WHITE | WHITE |

TECHNICAL DETAILS

| | | |
|-----------------|---|--|
| Location | : | DRY |
| Approval | : |  |
| Title 24 | : | Yes |
| Beam Angle | : | 20 |
| Cut Hole Length | : | 13.5" |
| Cut Hole Width | : | 5.188" |



PROJECT INFORMATION

 Job Name: Date: Type:

 Comments: