

TE114ATR, 4-LIGHT, MULTIPLE RECESSED, MR16,W/TRANSFORMER

PRODUCT DETAILS

No.	:	TE114ATR-01
Product Color	:	BLACK
Shade / Accent Colour	:	BLACK
Length	:	18.5"
Width	:	6.5"
Height	:	6"




LIGHT SOURCE DETAILS

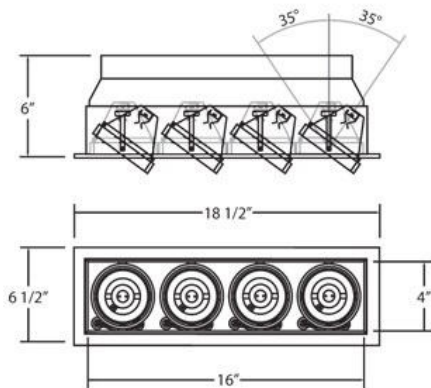
Number of Bulbs	:	4
Light Source	:	Halogen
Light Source Type	:	MR16
Input Voltage	:	120V
Bulb Voltage	:	12V
Socket Type	:	GU5.3
Wattage	:	50W
Total Wattage	:	200W
Bulb Included	:	No
Dimmable	:	Yes

Options Available

ITEM NO.	FINISH	SHADE
TE114ATR-01	BLACK	BLACK
TE114ATR-02	WHITE	BLACK
TE114ATR-0N	BLACK	PLATINUM
TE114ATR-22	WHITE	WHITE

TECHNICAL DETAILS

Location	:	DRY
Approval	:	
Horizontal Adjustment	:	35
Cut Hole Length	:	17.5"
Cut Hole Width	:	5.125"



PROJECT INFORMATION

 Job Name: Date: Type:

 Comments: