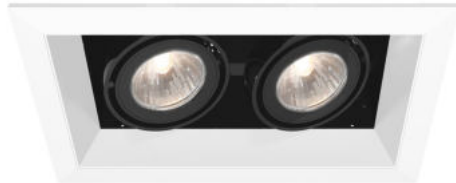


TE112TR, 2-LIGHT, MULTIPLE RECESSED, MR16,W/TRANSFORMER



PRODUCT DETAILS

| | | |
|-----------------------|---|------------|
| No. | : | TE112TR-02 |
| Product Color | : | BLACK |
| Shade / Accent Colour | : | WHITE |
| Length | : | 10.5" |
| Width | : | 6.5" |
| Height | : | 6" |


LIGHT SOURCE DETAILS

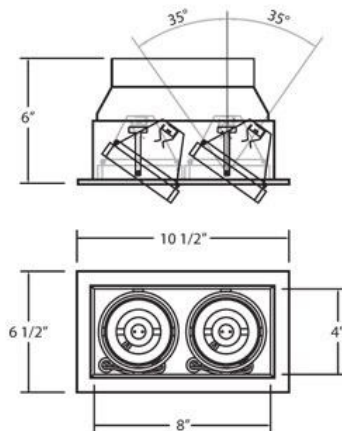
| | | |
|-------------------|---|---------|
| Number of Bulbs | : | 2 |
| Light Source | : | Halogen |
| Light Source Type | : | MR16 |
| Input Voltage | : | 120V |
| Bulb Voltage | : | 12V |
| Socket Type | : | GU5.3 |
| Wattage | : | 50W |
| Total Wattage | : | 100W |
| Bulb Included | : | No |
| Dimmable | : | Yes |

Options Available

| ITEM NO. | FINISH | SHADE |
|------------|--------|-------|
| TE112TR-02 | BLACK | WHITE |
| TE112TR-22 | WHITE | WHITE |

TECHNICAL DETAILS

| | | |
|-----------------------|---|---|
| Location | : | DRY |
| Approval | : |  |
| Horizontal Adjustment | : | 35 |
| Cut Hole Length | : | 9.5" |
| Cut Hole Width | : | 5.125" |



PROJECT INFORMATION

 Job Name: Date: Type:

 Comments: