

AMIGO, AMIGO 2-LIGHT TRIMLESS DOWNLIGHT, 15W LED

PRODUCT DETAILS

| | | |
|-----------------------|---|-------------|
| No. | : | 36024-30-01 |
| Product Color | : | BLACK |
| Shade / Accent Colour | : | BLACK |
| Length | : | 6.25" |
| Width | : | 2.75" |
| Height | : | 4.125" |
| Weight | : | 4lbs |



LIGHT SOURCE DETAILS

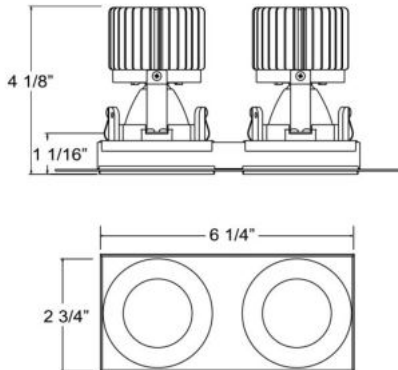
| | | |
|-------------------|---|----------------|
| Light Source Type | : | INTEGRATED LED |
| Input Voltage | : | 120V/277VV |
| Bulb Voltage | : | 120V |
| Socket Type | : | LED |
| Total Wattage | : | 30W |
| Total Lumen | : | 2580lm |
| Kelvin | : | 3000K |
| CRI | : | 90 |
| Dimmable | : | Yes |

Options Available

| ITEM NO. | FINISH | SHADE |
|-------------|--------|-------|
| 36024-30-01 | BLACK | BLACK |
| 36024-30-02 | WHITE | WHITE |

TECHNICAL DETAILS

| | | |
|------------|---|---|
| Location | : | DRY |
| Approval | : |  |
| Title 24 | : | Yes |
| Beam Angle | : | 40 |



PROJECT INFORMATION

 Job Name: Date: Type:

 Comments: