



TEL 905.695.2055 toll free 1.800.660.5391
 FAX 905.695.2056 toll free 1.800.660.5390

33 West Beaver Creek Road Richmond Hill, Ontario Canada L4B 1L8

KANO, 35" LINEAR PENDANT



PRODUCT DETAILS

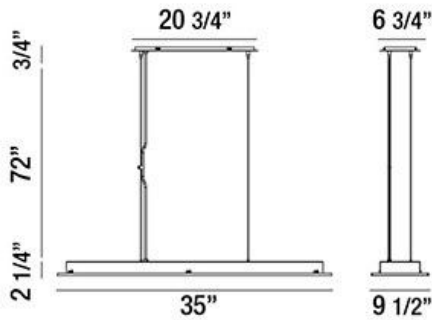
No. : 30292-017
 Product Color : WHITE
 Length : 35"
 Width : 9.5"
 Height : 2.25"
 Overall Height : 75"
 Weight : 15.4lbs

LIGHT SOURCE DETAILS


Light Source Type : INTEGRATED LED
 Input Voltage : 120V
 Bulb Voltage : 120V
 Total Wattage : 24W
 Total Lumen : 1320lm
 Kelvin : 3000K
 CRI : 80
 Dimmable : Yes

Options Available

ITEM NO.	FINISH	SHADE
30292-017	WHITE	



TECHNICAL DETAILS

Light Direction : Down
 Hanging Support Type : AIRCRAFT CABLE
 Hanging Support Length : 72"
 Canopy / Backplate Length : 20.75"
 Canopy / Backplate Height : 0.75"
 Canopy / Backplate Width : 6.75"
 Adjustable Lamp Head : No
 Location : DRY
 Approval : 

PROJECT INFORMATION

Job Name: Date: Type:

Comments: