

LED RECESSED LIGHT

Installation Instructions



WARNING: For your safety, read and understand instructions completely before starting installation. Before wiring to power supply, turn off electricity at the fuse or circuit break box. Use a qualified electrician for installation of this lighting fixture.

NOTE: Eurofase Lighting recessed fixtures are designed to meet the latest NEC requirements and are listed in full compliance with UL 1598. Before attempting installation of any recessed lighting fixture, check your local electrical building code. This code sets the wiring standards and installation requirements for your locality and should be understood before starting work. IF fixture is to be switch from wall switch or dimmer, make sure black supply wire properly connected to switch or dimmer (follow switch/dimmer instructions). DO NOT connect the white supply wire to the switch.

SAVE THESE INSTRUCTIONS

IMPORTANT SAFE GUARDS:

When using electrical equipment, always adhere to safety precautions including the following:

WARNING: RISK OF FIRE. Do not cover housings by thermal insulation.

INSULATION MUST BE KEPT A MINIMUM OF 3" FROM THE FIXTURE TO COMPLY WITH NATIONAL ELECTRICAL CODE.

INSTALLATION INSTRUCTIONS:

Universal mounting bracket has slot openings for C-channel, flat bar. C-channel hangers are recommended for T-bar ceilings, install with notches facing down to engage T-bar grid (figure 1).

Mounting bracket includes a wing nut (Housing includes three screws) to adjust fixture to accommodate different ceiling thickness or ceiling construction (figure 1, 2).

WARNING: Use only trims provided by Eurofase Lighting. Use of other manufacturers trims may void the UL listing and could constitute a fire hazard.

Ceiling Cutout:

4" series: 4.7" dia

6" series: 6.6" dia

8" series: 8.3" dia

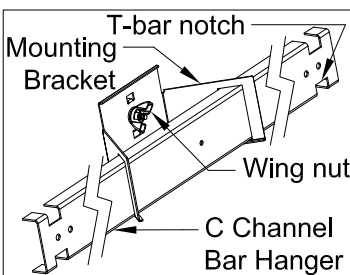


Figure 1

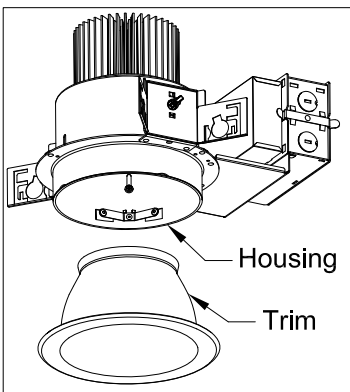


Figure 2

