

## GLORIA, 39" OVAL CHANDELIER



### PRODUCT DETAILS

|                         |   |             |
|-------------------------|---|-------------|
| No.                     | : | 28051-015   |
| Product Color           | : | CHROME      |
| Product Material        | : | METAL       |
| Shade / Accent Colour   | : | CLEAR       |
| Shade / Accent Material | : | BLOWN GLASS |
| Length                  | : | 38.5"       |
| Width                   | : | 37"         |
| Height                  | : | 24"         |
| Overall Height          | : | 64"         |
| Weight                  | : | 39.6lbs     |


### LIGHT SOURCE DETAILS

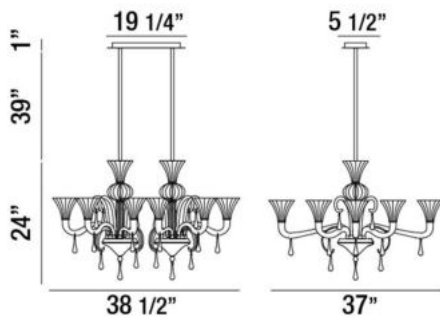
|                   |   |              |
|-------------------|---|--------------|
| Number of Bulbs   | : | 10           |
| Light Source      | : | Incandescent |
| Light Source Type | : | B10          |
| Input Voltage     | : | 120V         |
| Bulb Voltage      | : | 120V         |
| Socket Type       | : | E12          |
| Wattage           | : | 60W          |
| Total Wattage     | : | 600W         |
| Bulb Included     | : | No           |
| Dimmable          | : | Yes          |

### Options Available

| ITEM NO.  | FINISH | SHADE |
|-----------|--------|-------|
| 28051-015 | CHROME | CLEAR |

### TECHNICAL DETAILS

|                           |   |   |
|---------------------------|---|---|
| Light Direction           | : | Up or Down  |
| Hanging Support Type      | : | ROD   |
| Hanging Support Length    | : | 39"   |
| Rods Included             | : | 3"+6"+12"+18"   |
| Canopy / Backplate Length | : | 19.25"  |
| Canopy / Backplate Height | : | 1"  |
| Canopy / Backplate Width  | : | 5.5"  |
| Adjustable Lamp Head      | : | No  |
| Location                  | : | DRY   |
| Approval                  | : |  |



### PROJECT INFORMATION

 Job Name:  Date:  Type: 

 Comments: