

## 24083, IC BOX FOR TE211 & LED

### PRODUCT DETAILS

No. : 24083-010  
 Length : 11"  
 Width : 9"  
 Height : 9.5"

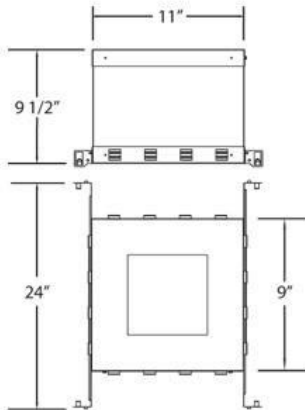
### TECHNICAL DETAILS

Cut Hole Length : 4.188"  
 Cut Hole Width : 4.188"



### Options Available

ITEM NO.	FINISH	SHADE
24083-010		



### PROJECT INFORMATION

Job Name:       Date:       Type:

Comments: