

## 24079, IC BOX FOR TE103

### PRODUCT DETAILS

|        |   |           |
|--------|---|-----------|
| No.    | : | 24079-013 |
| Length | : | 27.25"    |
| Width  | : | 12.75"    |
| Height | : | 11.5"     |

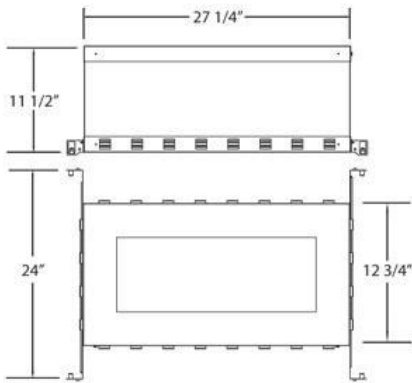
### TECHNICAL DETAILS

|                 |   |       |
|-----------------|---|-------|
| Cut Hole Length | : | 18"   |
| Cut Hole Width  | : | 6.75" |



### Options Available

| ITEM NO.  | FINISH | SHADE |
|-----------|--------|-------|
| 24079-013 |        |       |



### PROJECT INFORMATION

Job Name:       Date:       Type:

Comments: