

24078, IC BOX FOR TE102

PRODUCT DETAILS

| | | |
|--------|---|-----------|
| No. | : | 24078-016 |
| Length | : | 20.25" |
| Width | : | 12.75" |
| Height | : | 11.5" |

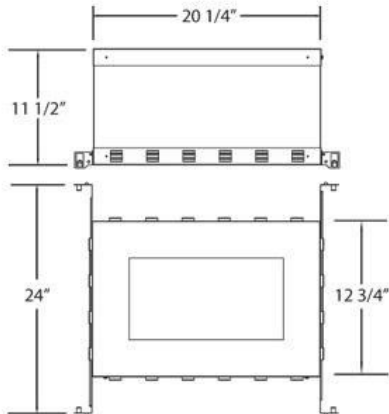
TECHNICAL DETAILS

| | | |
|-----------------|---|--------|
| Cut Hole Length | : | 12.75" |
| Cut Hole Width | : | 6.75" |



Options Available

| ITEM NO. | FINISH | SHADE |
|-----------|--------|-------|
| 24078-016 | | |



PROJECT INFORMATION

 Job Name: Date: Type:

 Comments: