

## 24074, IC BOX FOR TE114A & TE114A LED



### PRODUCT DETAILS

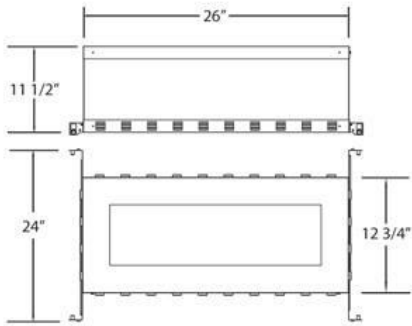
No.	:	24074-018
Length	:	26"
Width	:	12.75"
Height	:	11.5"

### TECHNICAL DETAILS

Cut Hole Length	:	17.375"
Cut Hole Width	:	5.125"

### Options Available

ITEM NO.	FINISH	SHADE
24074-018		



### PROJECT INFORMATION

Job Name:       Date:       Type:

Comments: