

24071, IC BOX TE111/TE111 LED/TE111GU10/TE111TR/TE161LED

PRODUCT DETAILS

No.	:	24071-017
Length	:	11.25"
Width	:	12.75"
Height	:	11.5"

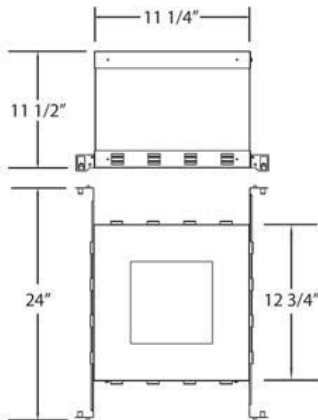
TECHNICAL DETAILS

Cut Hole Length	:	5.125"
Cut Hole Width	:	5.125"



Options Available

ITEM NO.	FINISH	SHADE
24071-017		



PROJECT INFORMATION

Job Name: Date: Type:

Comments: