

## 24070, NC PLATE: TE224B/TE224BLED

### PRODUCT DETAILS

No. : 24070-010  
 Length : 20"  
 Width : 18"  
 Height : 1.38"

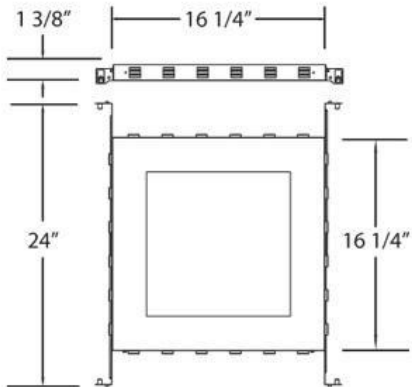
### TECHNICAL DETAILS

Cut Hole Length : 12.875"  
 Cut Hole Width : 12.875"



### Options Available

ITEM NO.	FINISH	SHADE
24070-010		



### PROJECT INFORMATION

Job Name:       Date:       Type:

Comments: